

# NHN-TPE1

Earth Terminal Block  
接地端子台



## 产品特点 FEATURES

- 完全代替传统接地端子台;
- 安装方便、快捷
- Replaces conventional wiring method;
- Convenient and quick installation.

### 注意事项 Note

本端子台与外壳间绝缘, 如果需要将端子台与电箱外壳导通, 请单独连接。  
The terminal station and shell are insulative, and if terminal stations and electric box shell need to be conductive, please connect separately.

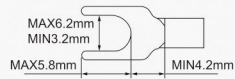
## 规格参数 SPECIFICATIONS

额定电流 Nominal operating current	15A
适合电线 For wire	2.5mm <sup>2</sup> Following/AWG13

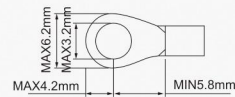
## 适合压着端子 SUITABLE FOR TERMINALS

名称 Name      实物图 Physical diagram      尺寸图 Size diagram

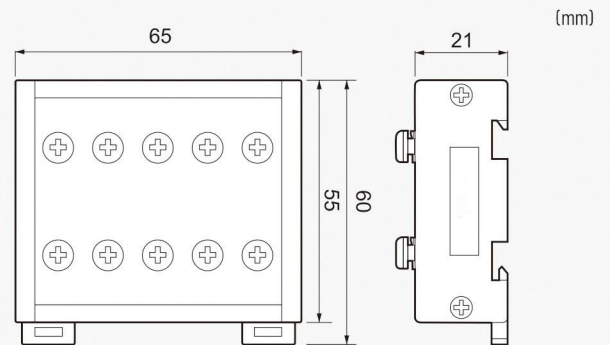
叉型裸端子  
Forked Bare Terminal



圆形裸端子  
Needle Bare Terminal



## 外形尺寸图 DIMENSIONS



### 注意事项 Note:

- 可安装在标准35mm的DIN导轨上
- DIN Rail Mounting: Standard 35mm DIN RAIL.