

# NHN-TM1C32

Input and Output Terminal Block  
输入输出端子台



## 产品特点 FEATURES

- 采用40P的MIL连接器作为进线端，配合本公司相对应的X系列缆线，可以直接对应市面上任意一款带32位输入/输出的PLC模块，并且整理为2组16位的端子。
- NPN/PNP双极性输入对应，并且指示灯也会跟随输入信号的不同而亮不同颜色；
- 绿色—NPN; 红色—PNP
- Utilizes a 40 pin MIL connector as the incoming terminal, Used in combination with the corresponding X series cable of the company, it is applicable to any PLC module with 32 bit I/O on the market. The terminal block is divided into 2 sets of 16 bit terminals.
- NPN/PNP bipolar input corresponding, and the indicator light will also follow the input signal of different and bright color ;
- Green - NPN ; Red - the PNP.

## 注意事项 Note

- 订购前请确认负载类型和大小，选择使用合适方式进行控制。
- 和PLC连接时，请勿必使用本公司开发的与之对应的专用电缆线。
- Before ordering, please confirm the load type and size, choose the suitable way to control.
- When PLC connection, please be sure to use the company developed and the corresponding special cable.

## 适用PLC SUITABLE PLC

<b>KEYENCE</b>	KV-C32XA/C KV-C64XA/C	KV-C32TA/C KV-C64TA/C
<b>OMRON</b>	CJ1W-ID231/CJ1W-ID261 CJ1W-MD261(IN) CJ1W-ID232/CJ1W-ID262 CJ1W-MD263(IN) CJ1W-MD563(IN) CJ1W-OD231/CJ1W-OD261	CJ1W-MD261(Out) CJ1W-OD232/CJ1W-OD233 CJ1W-OD262/CJ1W-OD263 CJ1W-MD263(Out) CJ1W-MD563(Out)
<b>SIEMENS</b>	6ES7321-1BL00-0AA0 6ES7321-1EL00-0AA0 SM322/6ES7322-1BL00-0AA0 SM323/6ES7322-1BL00-0AA0 6ES7321-1BH00-0AA0 6ES7321-1BH02-0AA0 6ES7321-1BH01-0A00	6ES7321-1BH50-0AA0 6ES7321-1CH20-0AA0 6ES7322-1FL00-0AA0 6ES7322-1BH00-0AA0 6ES7322-1BH10-0AA0 6ES7322-1FH10-0AA0 6ES7322-1BH01-0AA0
<b>Yokogawa</b>	F3WD64-3N(IN) F3WD64-3F(IN)	F3WD64-3N(OUT) F3WD64-3F(OUT)
<b>MITSUBISHI</b>	QX41-S1 QX42-S1 QY41P QX41 QX71 QY42P QX42 QX72 QY71	QH42P QX81 QY81P
<b>Panasonic</b>	FPG-XY64D2T/P FP2-C1D(IN) FP2-X32D2 FP2-X64D2 FP2-C1D(OUT) FP2-XY64D2T/XY64D7T(IN) FP2-XY64D2P/XY64D7P(IN)	FPG-XY64D2T/P FP2-C1D(OUT) FP2-32T/P FP2-Y64T/P FP2-XY64D2T/XY64D7T(OUT) FP2-XY64D2P/XY64D7P(OUT)

## 关联产品 RELATED PRODUCTS

适用电缆 Suitable cable	X211-1 X211-2 X212-1 X215-4 X217-1 X217-2 X218-6 X218-7 X219-1 X219-2 X215-8
---------------------	--

## 规格参数 SPECIFICATIONS

### 输入 INPUT

- 额定电流 Nominal operating current 1A
- 额定电压 Nominal coil voltage DC 24V

输入侧对应 Corresponding output Devices

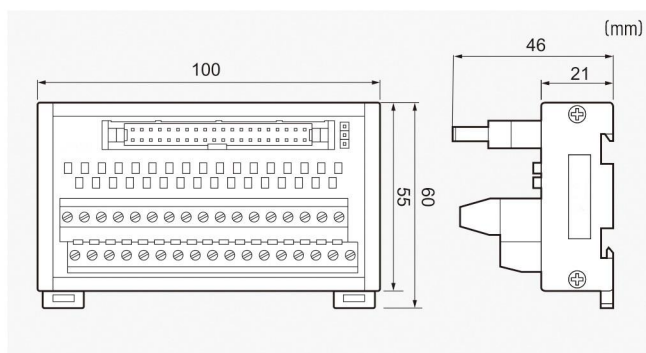
The input side output side of the load switching. Input side of the switching elements. The output side of the load.

## 适合电线 SUITABLE WIRE

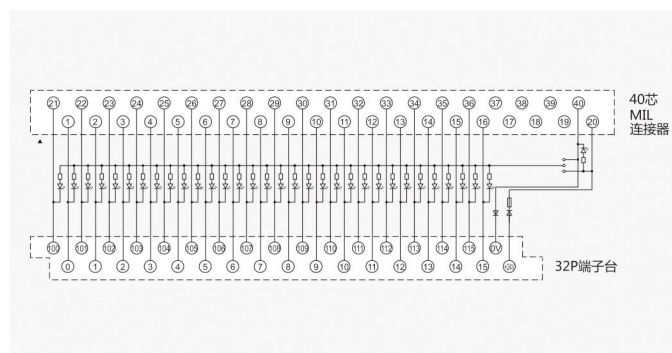
剥线长度: 6mm 1.5mm<sup>2</sup> Following /AWG16



## 外形尺寸图 DIMENSIONS



## 接线图 WIRING DIAGRAM



www.nicerelay.com