

NHN-TC3A40

CPU Special Terminal Block
CPU专用端子台

产品特点 FEATURES

- 本产品对应OMRON的CJ1M-CPU21/22/23模块。
- This product is applicable to the CJ1M-CPU21/22/23 module of OMRON.

注意事项 Note

- 订购前请确认负载类型和大小，选择使用合适方式进行控制。
- 和PLC连接时，请勿必使用本公司开发的与之对应的专用电缆线。
- Before ordering, please confirm the load type and size, choose the suitable way to control.
- When PLC connection, please be sure to use the company developed and the corresponding special cable.

关联产品 RELATED PRODUCTS

适用电缆 Suitable cable X210-4/X200-4

规格参数 SPECIFICATIONS

输入 INPUT

- 额定电流 Nominal operating current 1A
- 额定电压 Nominal coil voltage DC 24V

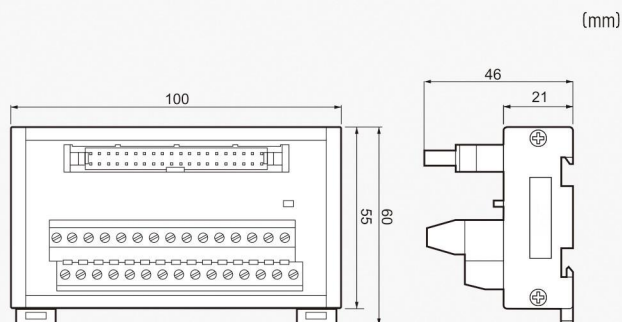
输出侧对应 Corresponding output Devices The input side and output side of the load switching element

适合电线 SUITABLE WIRE

剥线长度: 6mm 1.5mm² Following /AWG16



外形尺寸图 DIMENSIONS



注意事项 Note:

- 可安装在标准35mm的DIN导轨上
- DIN Rail Mounting: Standard 35mm DIN RAIL.

适用PLC SUITABLE PLC

OMRON

CJ1M-CPU21
CJ1M-CPU22
CJ1M-CPU23

接线图 WIRING DIAGRAM

