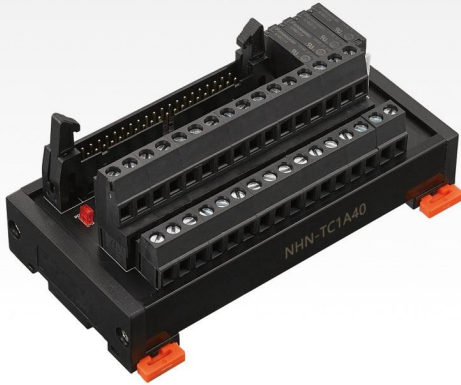


NHN-TC1A40

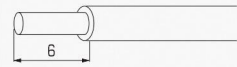
CPU Special Terminal Block
CPU专用端子台



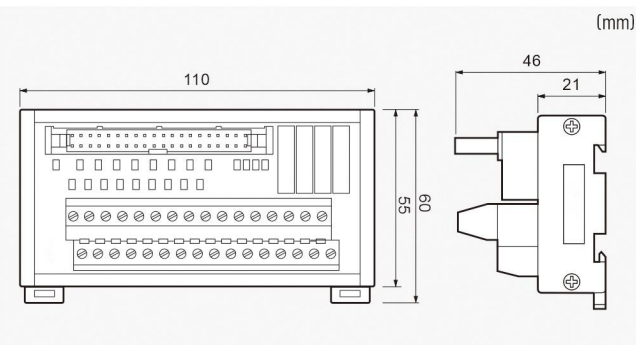
适用PLC SUITABLE PLC

KEYENCE KV-1000 KV-3000 KV-5000 KV-5500

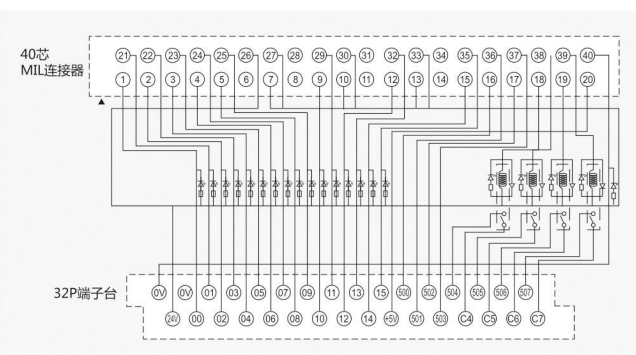
剥线长度: 6mm 1.5mm² Following /AWG16



外形尺寸图 DIMENSIONS



接线图 WIRING DIAGRAM



产品特点 FEATURES

- 本CPU端子台对应KEYENCE系列PLC的KV1000, KV3000, KV5000CPU模块的接线和使用;
- 使用连接器插头实现了整体使用;
- 各端子台接线内容均有标识, 真正将您从繁琐的排线号码标记中解放出来;
- 输出端可作独立接点, 或短路棒方便地进行公共端连接;
- 采用动作LED显示, 各输入输出端状态一目了然;
- 继电器线圈带浪涌抑制回路, 延长了继电器模块寿命, 将线路电磁干扰降到最小;
- 端子台的间距采用5mm构造, 将空间压缩到最好。
- This CPU terminal block is applicable to the wiring and application of KV1000, KV3000 and KV5000 CPU modules of KEYENCE PLC;
- Realizes overall wiring by utilizing connector plug;
- The wiring content for each terminal block is clearly marked, making the workload of marking the wiring greatly reduced;
- The output end can be used as an independent connecting point or for the convenient connection of the short-circuiting bar to the common end;
- Utilizes a LED display, so all input and output statuses are visible;
- The relay coil has a surge suppressing loop, which prolongs the service life of the relay module and minimizes the electromagnetic interference on the circuit;
- The terminal block is structured with a 5mm space, minimizing the space occupation.

注意事项 Note

- 订购前请确认负载类型和大小, 选择使用合适方式进行控制。
- 和PLC连接时, 请务必使用本公司开发的与之对应的专用电缆线。
- Before ordering, please confirm the load type and size, choose the suitable way to control.
- When PLC connection, please be sure to use the company developed and the corresponding special cable.

关联产品 RELATED PRODUCTS

适用电缆 Suitable cable X210-4/X200-4



规格参数 SPECIFICATIONS

输入 INPUT

- 额定电流 (MA) Nominal operating current 1A
- 额定电压 (V) Nominal coil voltage DC 24V

输出 OUTPUT

操作线圈(继电器的每一点) Relay Coil Specifications

- 额定电压 (V) Nominal coil voltage DC 24V
- 额定电流 (MA) Nominal operating current 7.5mA
- 线圈电阻 (Ω) Coil resistance 3200Ω
- 动作电压 (V) Pick-up Voltage More 70%
- 复位电压 (V) Drop-out Voltage Following 5%
- 最大容许电压 (V) Max. allowable voltage 120%
- 额定消耗功率 (MV) Nominal operating power 180 MV

开关部(继电器的每一点) Switch Circuit

- 触点结构 Arrangement 1a
- 触点接触电阻(初始) Initial contact resistance 30mΩ (Voltage drop through the DC6V1A France)
- 额定控制容量(电阻负载) Nominal switching capacity(resistive load) AC250V/5A; DC30V/5A
- 最大允许功率 Max. switching power(resistive load) 1250VA, 150W
- 最大允许电流 Max. switching voltage 5A
- 最大允许电压 Max. switching capacity 250V AC; 110V DC
- 最小适用负载 Min. switching capacity DC 100mv 100uA
- 最大允许电流 Max. switching capacity 5A
- 机械寿命 Mechanical More than 20 million times(Off frequency of 180 times/min)
- 电气寿命 Electrical 100,000 times or more(3A 250AC, 30VDC, Resistive load)

输出侧对应

Corresponding output Devices

Button Switch, Photoelectric Switch, Solenoid, Indicator, Stepping Servo Motor, etc.