

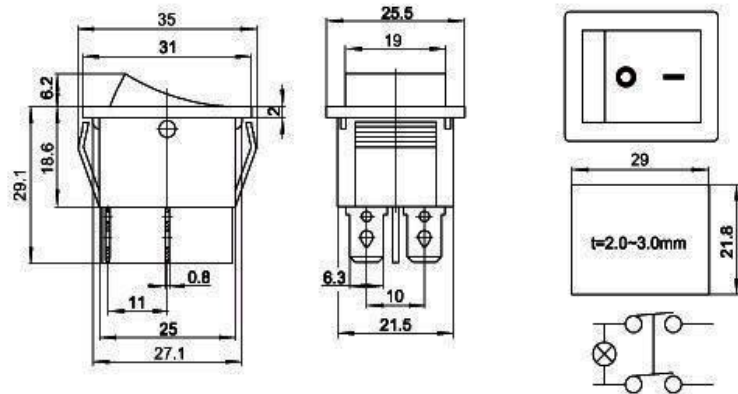


ROCKER SWITCH

Part No.

KCD4-201N

KCD4-201N



Parameter

| | |
|------------------------|-----------------------------------|
| Types: | ON-OFF;ON-ON;ON-OFF-ON |
| Actuator: | Polycarbonate |
| Base: | Nylon (PA) 66 |
| Contacts: | Silver plated Copper/Silver Alloy |
| Life: | ≥10000times |
| Terminals: | Tin-Plated Copper |
| Movable Arm: | Tin-Plated Copper |
| Dielectric Strength: | 1500V for 1 Min |
| Insulation Resistance: | ≥100MΩ |

Characteristic

| | |
|-----------------------|---------------|
| Rated Voltage: | 15A 250VAC |
| Rated Current: | 30A 250VAC |
| Insulated Resistance: | ≥100MΩ |
| Contact Resistance: | ≤50MΩ |
| Dielectric Strength: | 1500VAC/5S |
| Endurance: | ≥10000 Cyckes |
| Ambient Temp: | T85 |
| Contact Resistance: | ≤30mΩ |
| Temperature Range: | -30~85℃ |

Model Description

e.g
KCD 4 - 2 01 (E) (N) -2 C7- R / R
 ① ② ③ ④ ⑤ ⑥ ⑦ ⑧ ⑨ ⑩

- ① Rocker Switch
- ② Small Type
- ③ Poles
- ④ Circuit Function
- ⑤ Dot
- ⑥ Neon Lamp
- ⑦ Product Number
- ⑧ Cap Marking
- ⑨ Cap Color
- ⑩ Base Color

Circuitry Trait

- 01 ON - OFF
- 02 ON - OFF
- 11 <ON> OFF
- 12 ON - <ON>
- 03 ON OFF ON
- 13 ON OFF <ON>
- 23 <ON> OFF <ON>

< > : Indicates Momentary

Cap Color

- Black
- White <W>
- Red <R>
- Yellow <Y>
- Green <G>
- Orange <O>
- Gray <GR>

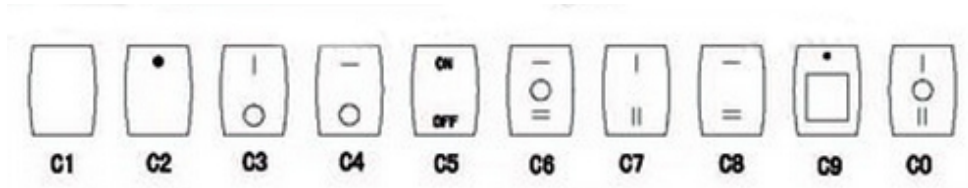
Base Color

- Black
- White <W>
- Gray <GR>

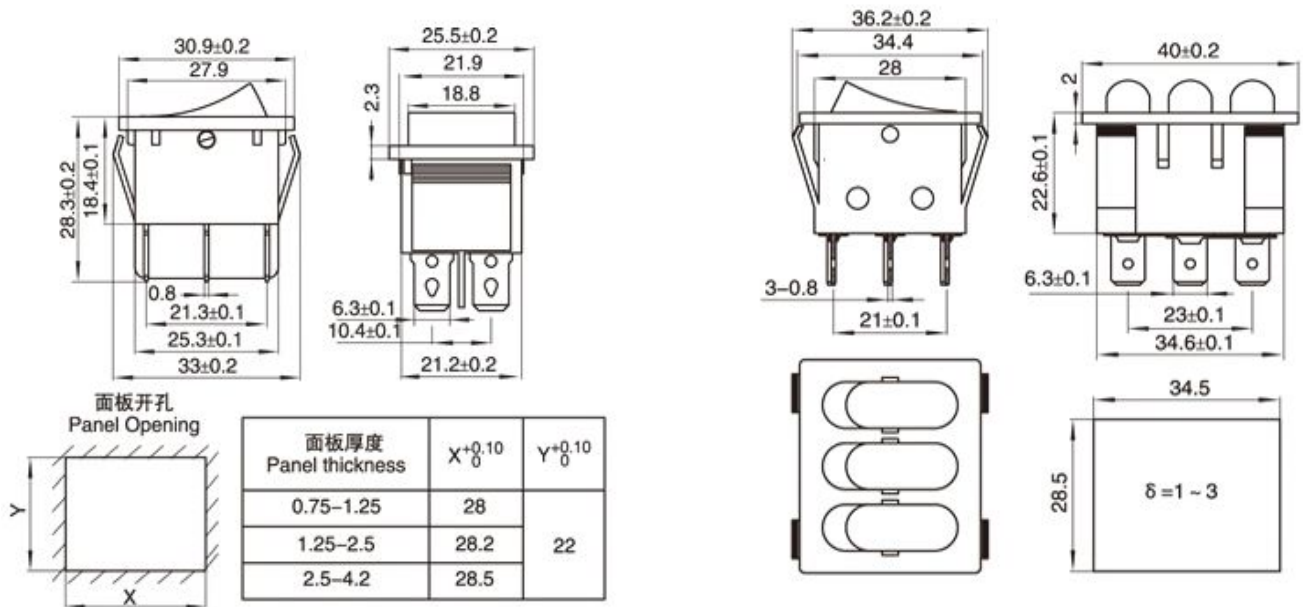
Ratings for different series:

- KCD1 10A 125VAC; 6A 250VAC
- KCD2 20A 125VAC; 15A 250VAC; 35A 12VDC
- KCD3 20A 125VAC; 15A 250VAC; 35A 13VDC
- KCD4 15A 250VAC; 30A 250VAC
- KCD5 6A 125VAC ; 3A 250VAC

Cap Marking



DIMENSIONS (Unit: mm)



Circuit Diagram

| 系列号 Series No | 电路图 Circuit diagram | 端子规格 Terminal | 开关标记 Making | 颜色代码 Color code | 按钮类型 Actuator | |
|------------------|------------------------|------------------|-------------------|--------------------|------------------|----|
| KCD4-101/4P | ON-OFF | <p>6.3 × 0.8</p> | 1 空白 No Making | 9 关 开 | K | V形 |
| KCD4-101/4PV | (ON)-OFF | | 2 ○ — | 10 前进 后退 | W | C形 |
| KCD4-101/4PN | ON-OFF | | 3 ○ | 11 启 开 关闭 | Y | B形 |
| KCD4-101/6P | ON-ON | | 4 ● | 12 快速 慢速 | R | |
| KCD4-101/6PN | ON-ON | | 5 | 13 ○ | G | |
| KCD4-101/6PD | ON-OFF-ON | | 6 手动 自动 | 14 ○ | O | |
| KCD4-101/DW | (ON)-OFF-(ON) | | 7 OFF ON | 15 ● ☼ | B | |
| | | | 8 ◁ ○ ▷ | 16 ◡ ● ◡ | | |
| | | | 17 客人要求 | | | |