



Industrial & Electrical Components

Single-phase Regulator

Part No.

HHT2-U (SSR-VA)



CHARACTERISTICS

Control	0-5VDC or 0-10DC	Insulation Resistance	500MΩ(at 500VDC)
Load Voltage	220VAC	Ambient Temp.	-30~80°C
Regulate Range	10-220VAC	Weight	10A ≈ 130, 20A ≈ 135g, 40A ≈ 145g.
Isolation Voltage	Full isolation	Indicate Methods	Led
Leakage Current in off	≤10mA	Dimensions	63x45x26(LxWxH)mm
Load Current	10A, 15A, 20A, 25A, 30A, 40A.	Wirinig Diagram	See Page-2
Instant Voltage	22:600VAC		
Voltage Dropin On	<10VAC		
Dielectric Strength	≥2500VAC		

ORDERING INFORMATION

e.g

HHT2-U / 22 0-5VDC 10-40A

① ② ③ ④

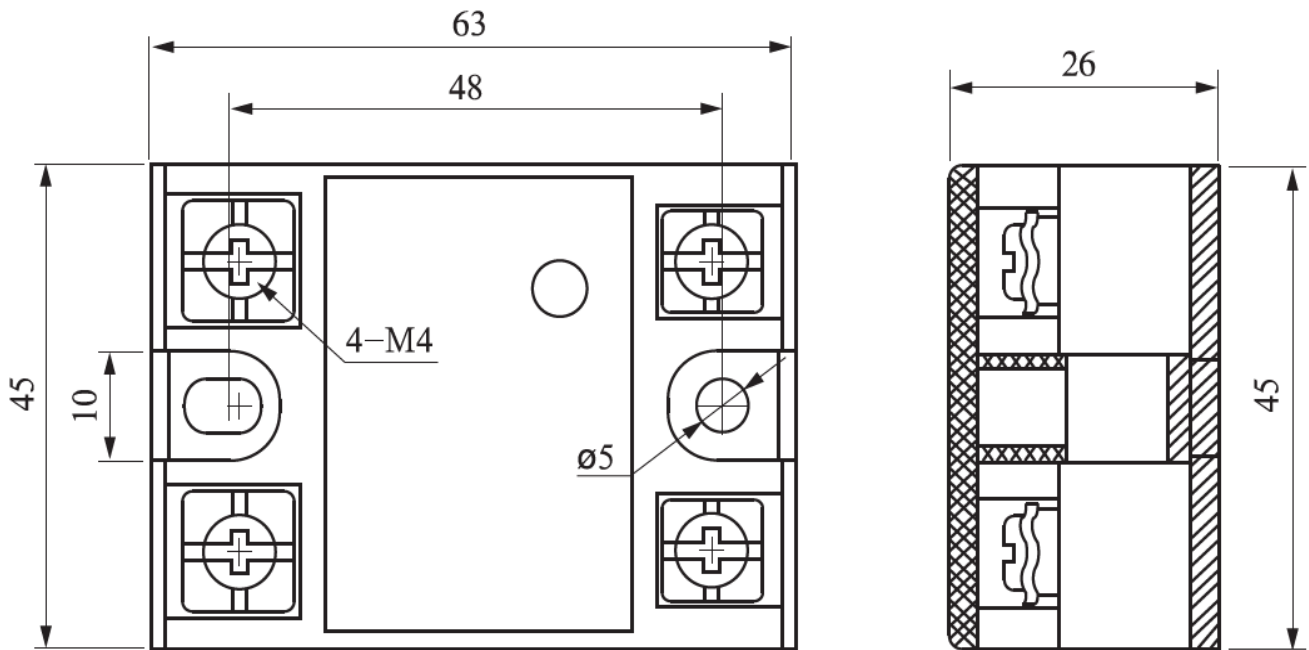
① Series: HHT2-U series(SSR-VA)

② Load Voltage : 220VAC

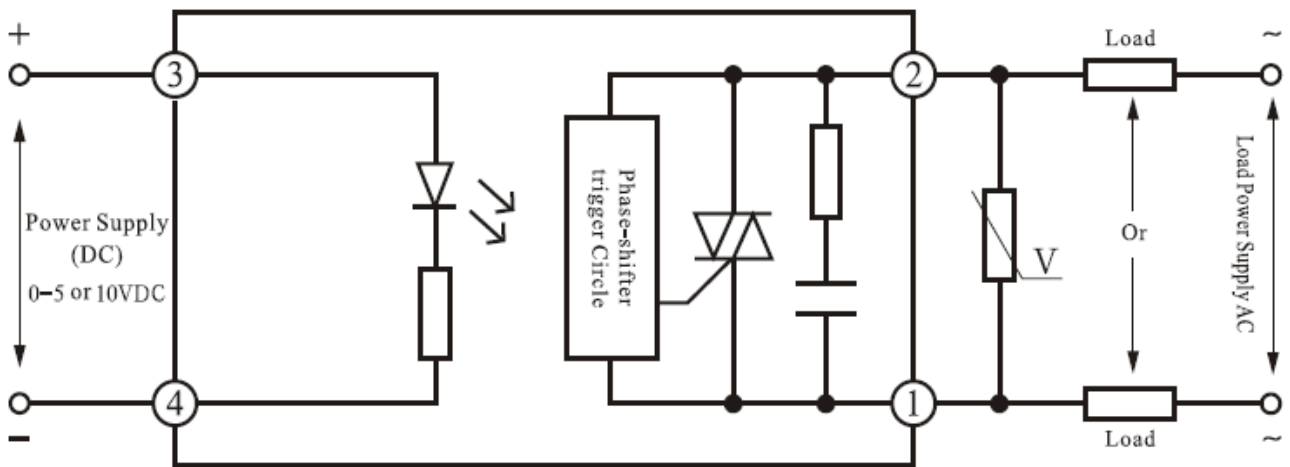
③ Control: 0-5VDC or 0-10DC

④ Load current : 10A, 15A, 20A, 25A, 30A, 40A.

DIMENSIONS (Unit: mm)



WIRING DIAGRAM:



Remarks:

1. Input power must be DC Voltage and Output power must be AC Voltage.
2. Please make correct polarity connection for input and output power.
3. If the SSR with load above 10Amps, it must be mounted onto heat sink. It should be mounted onto fan-cooling or water-cooling if the load above 80Amps.