

Industrial & Electrical Components

Solid State Relay

Part No.

HHG1D-1(SSR-DA)
HHG1D-0(SSR-



CHARACTERISTICS

Controlling Voltage	014:3-14VDC,032:3-32VDC
Controlling Current	6-25mA
Make-on Voltage	3VDC
Break-off Voltage	1VDC
Reverse Voltage	32VDC
Load Voltage	AC: 22:30-240VAC, 38:40-440VAC. DC:06:12-60VDC,11:12-110VDC,20:12-200VDC.
Load Current	1 A, 2A, 3A, 4A.
Instant Voltage	AC: 22:600VAC, 38:900VAC; DC:06:100VDC,11:110VDC, 20:200VDC.
Voltage Drop in On	AC: <1.6VAC,DC: <1.2VDC

On-off Time	AC: ≤10mS,DC:≤5mS
Leakage Current in off	AC: ≤10mA ,DC:≤5mA
Dielectric Strength	≥1500VAC
Insulation Resistance	500M Ω (at 500VDC)
Ambient Temp.	-30~80°C
Weight	22g
Indicate Methods	--
Dimensions	43x25.5x12(LxWxH)mm
Wirinig Diagram	See Page-2

ORDERING INFORMATION

e.g

HHG1D-1 / 032F-22 1A

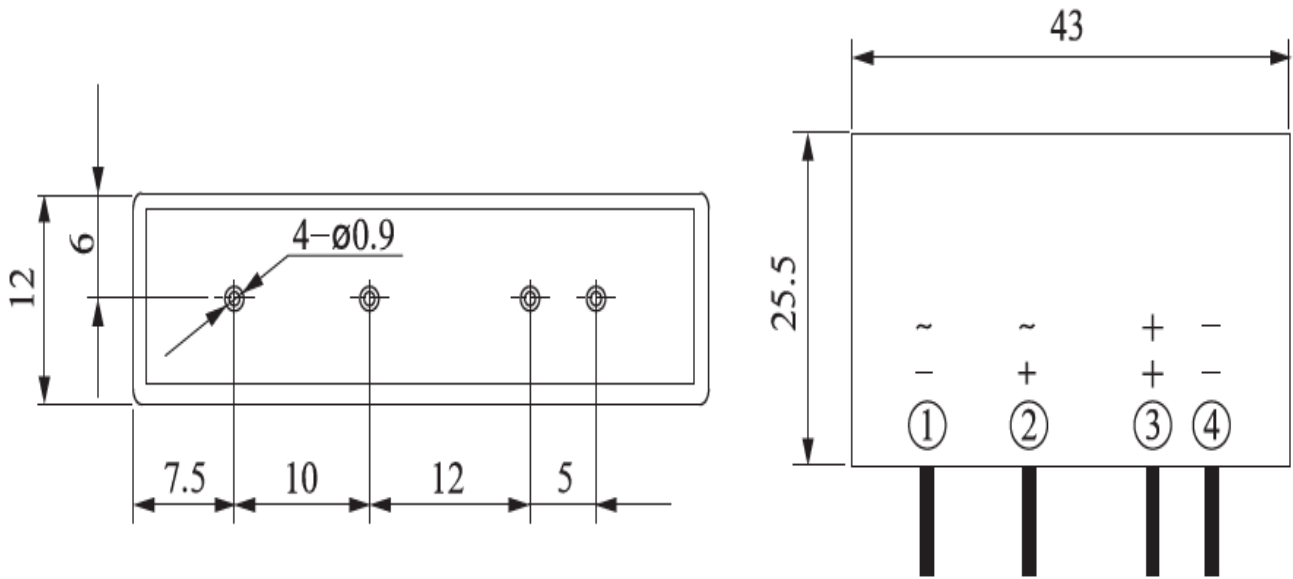
① ② ③ ④

HHG1D-0 / 032F-06 1A

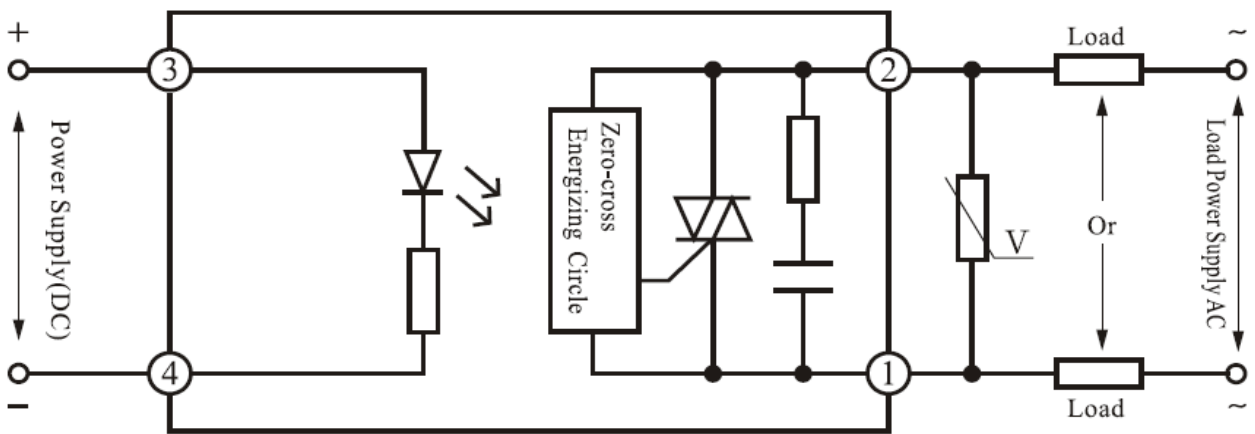
① ② ③ ④

- ① **Series:** HHG1D-1/032F-22、38 series(SSR-DA), HHG1D-0/032F-06、11、20 series(SSR-DD)
- ② **Controlling Voltage:** 014:3-14VDC,032:3-32VDC
- ③ **Load Voltage :** AC: 22:30-240VAC, 38:40-440VAC.
DC:06:12-60VDC,11:12-110VDC,20:12-200VDC.
- ④ **Load current :** 1 A, 2A, 3A, 4A.

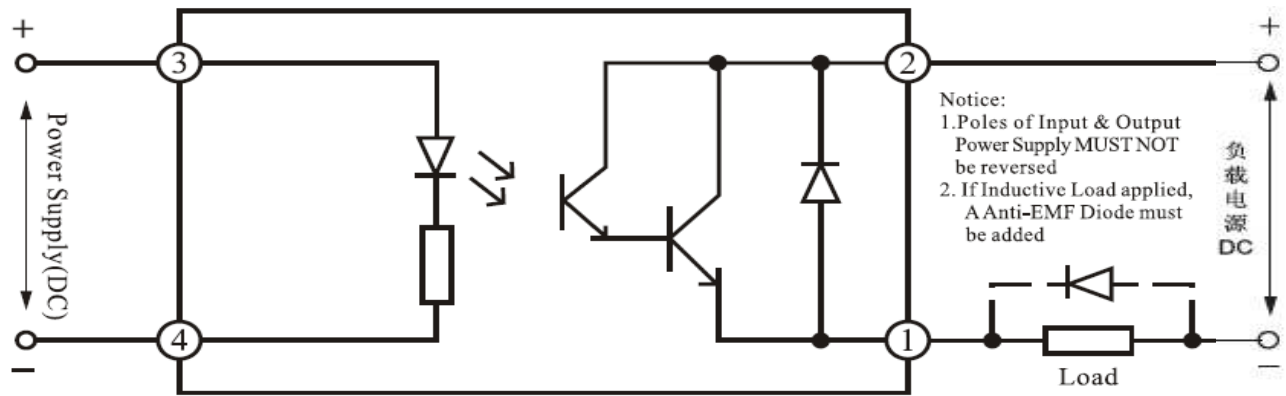
DIMENSIONS (Unit: mm)



WIRING DIAGRAM:



HHG1D-1(SSR-DA)



HHG1D-0(SSR-DD)