



Industrial & Electrical Components

Solid State Relay

Part No.

HHG1D-1(SSR-DA)
HHG1D-0(SSR-



CHARACTERISTICS

Controlling Voltage	014:3-14VDC,032:3-32VDC	On-off Time	AC: ≤10mS,DC:≤5mS
Controlling Current	6-25mA	Leakage Current in off	AC: ≤10mA ,DC: ≤5mA
Make-on Voltage	3VDC	Dielectric Strength	≥1500VAC
Break-off Voltage	1VDC	Insulation Resistance	500M Ω (at 500VDC)
Reverse Voltage	32VDC	Ambient Temp.	-30~80°C
Load Voltage	AC: 22:30-240VAC, 38:40-440VAC. DC:06:12-60VDC,11:12-110VDC,20:12-200VDC.	Weight	22g
Load Current	1 A, 2A, 3A, 4A.	Indicate Methods	--
Instant Voltage	AC: 22:600VAC, 38:900VAC; DC:06:100VDC,11:110VDC, 20:200VDC	Dimensions	43x34x12(LxWxH)mm
Voltage Drop in On	AC: <1.6VAC,DC: <1.2VDC	Wirinig Diagram	See Page-2

ORDERING INFORMATION

e.g

HHG1D-1 / 032F-22 1A

① ② ③ ④

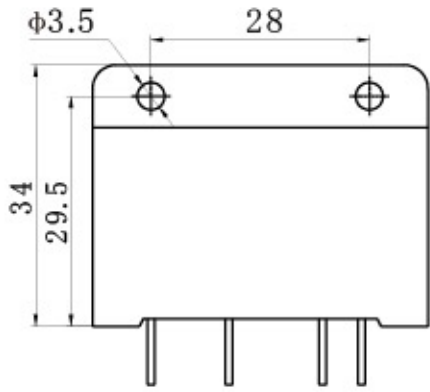
HHG1D-0 / 032F-06 1A

① ② ③ ④

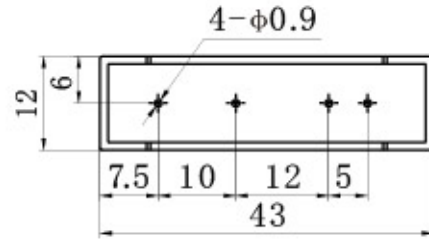
- ① **Series:** HHG1D-1/032F-22、38 series(SSR-DA), HHG1D-0/032F-06、11、20 series(SSR-DD)
- ② **Controlling Voltage:** 014:3-14VDC,032:3-32VDC
- ③ **Load Voltage :** AC: 22:30-240VAC, 38:40-440VAC.
DC:06:12-60VDC,11:12-110VDC,20:12-200VDC.
- ④ **Load current :** 1 A, 2A, 3A, 4A.

DIMENSIONS (Unit: mm)

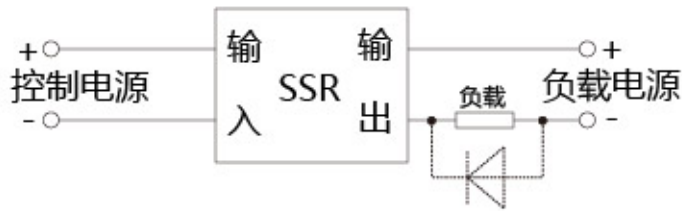
HHG1D-0(SSR-DD)



尺寸图

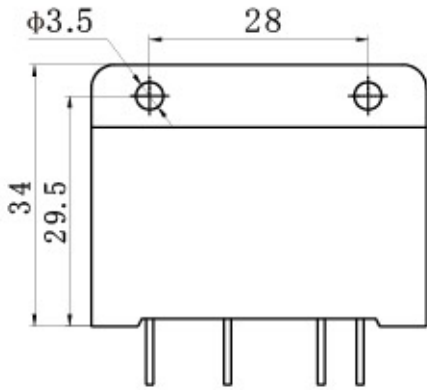


安装尺寸

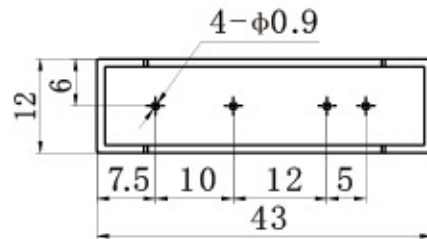


接线图

HHG1D-1(SSR-DA)



尺寸图



安装尺寸



接线图