



Industrial & Electrical Components

# Relay Socket

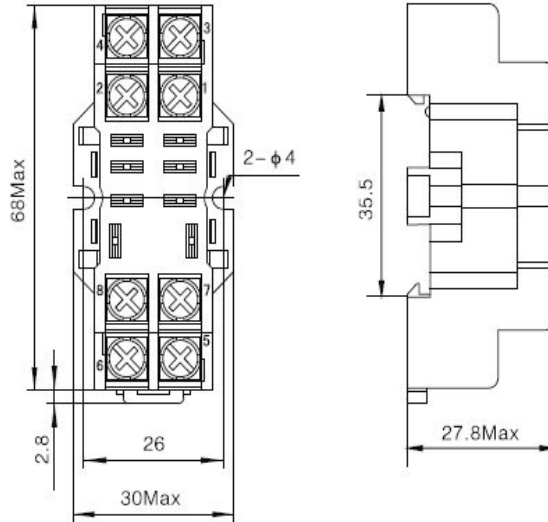
Part No.

PTF08A  
PTF11A  
PTF14A

## PTF08A



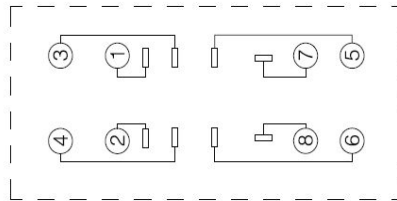
## OUTLINE DIMENSIONS



## SPECIFICATION

|                          |                                     |      |
|--------------------------|-------------------------------------|------|
| Rated Load               | Current                             | 10A  |
|                          | Voltage                             | 300V |
| Dielectric Strength      | 2500V                               |      |
| Ambient Temperature      | -40~+75°C                           |      |
| Socket Material          | Flame retardance<br>PA46-S250F6(V0) |      |
| Contacts Spring Material | QSn6.5-0.1                          |      |
| Clamp Spring Material    | Plastic                             |      |
| Module                   | No                                  |      |

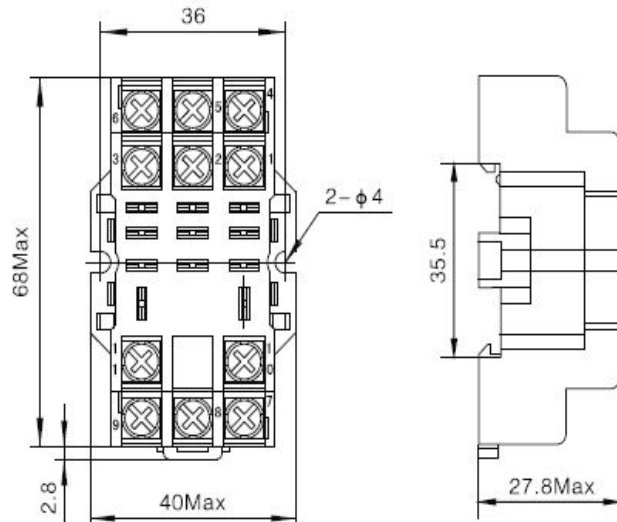
## DIAGRAM



## PTF11A



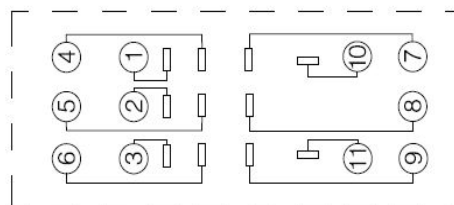
## OUTLINE DIMENSIONS



## SPECIFICATION

|                          |                                     |      |
|--------------------------|-------------------------------------|------|
| Rated Load               | Current                             | 10A  |
|                          | Voltage                             | 300V |
| Dielectric Strength      | 2500V                               |      |
| Ambient Temperature      | -40~+75°C                           |      |
| Socket Material          | Flame retardance<br>PA46-S250F6(V0) |      |
| Contacts Spring Material | QSn6.5-0.1                          |      |
| Clamp Spring Material    | Plastic                             |      |
| Module                   | No                                  |      |

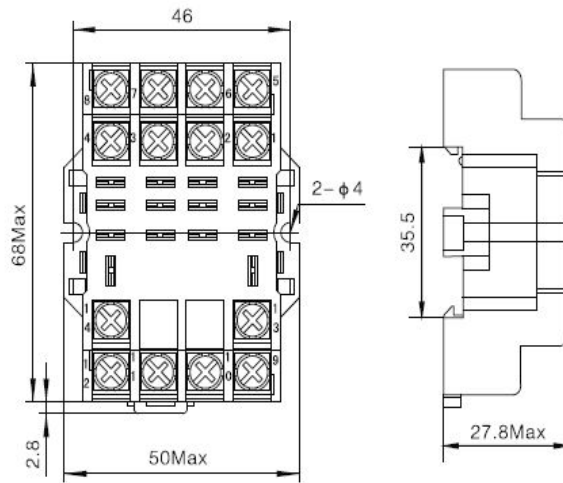
## DIAGRAM



# PTF14A



# OUTLINE DIMENSIONS



# SPECIFICATION

|                          |         |                                     |
|--------------------------|---------|-------------------------------------|
| Rated Load               | Current | 10A                                 |
|                          | Voltage | 300V                                |
| Dielectric Strength      |         | 2500V                               |
| Ambient Temperature      |         | -40~+75°C                           |
| Socket Material          |         | Flame retardance<br>PA46-S250F6(V0) |
| Contacts Spring Material |         | QSn6.5-0.1                          |
| Clamp Spring Material    |         | Plastic                             |
| Module                   |         | No                                  |

# DIAGRAM

