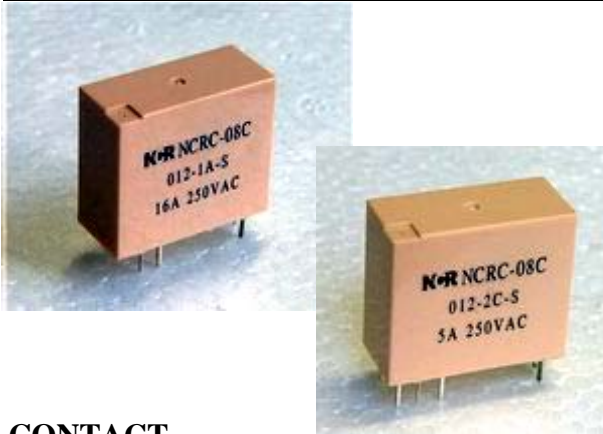




Magnetic Latching Relay

Part No.
NRL-08C



Compact mounting size, 29 x 25 x 12.5 mm
 Energy-Saving, Very Low Coil Power
 Safety: No coil heating, Contacting is reliable
 Contacts status not change when power failure
 Conform to Stands IEC255 , IEC60065

CONTACT

Arrangement	1A/1B/1C; 2A/2B/2C
Contact Material	Silver Alloy
Contact Resistive	Max.: 15 mΩ
Rating (cosφ=1)	
1A/1B/1C	16A 250VAC/28VDC
2A/2B/2C	5A 250VAC/28VDC
Max. Switching Voltage	250VAC/48VDC
Max. Switching Power 1A/B/C	2200VA/280W
2A/B/C	1100VA/140W
Mechanical life	1×10 ⁶
Electrical life	1×10 ⁵

CHARACTERISTICS

Operate Time	15msec. Max.
Release Time	15msec. Max.
Initial breakdown voltage	
Between Coil & Contact	1000VAC (50/60Hz)for 1 min.
Between Open Contacts	500VAC (50/60Hz)for 1 min.
Insulation Resistance	Min.500MΩ (500 VDC)
Ambient temperature	-40 ~ +55
Unit weight	19g

TYPICAL APPLICATION

- 1) Prepayment Energy Meters/Water Meters/Gas Meters
- 2) Electrical switching system, Telecommunication, Auto Controlling

ORDERING INFORMATION

e.g

NRL - 08C - 1C - 12D - S

Series: NCR Latching Relay

Part No C series

Contact arrangement: 1A / 1B / 1C
 or 2A / 2B / 2C

Coil Voltage: 5~48Vdc

Nil= Dual Coils; S= Single Coil

COIL DATA (at 20°C)

Rated Voltage (Vdc)	Coil Resistance(Ω) ± 6%		Coil Power (W)		Set/Reset Voltage (VDC)	Max.Allowable Voltage (VDC)
	Single Coil	Dual Coil	Single Coil	Dual Coil		
5	25	12.5 ; 12.5	1.0	2.0	≤75%	200% of rated Voltage In Pulse
6	36	18 ; 18				
9	81	40.5 ; 40.5				
12	144	72 ; 72				
24	576	288 ; 288				
48	2304	1152 ; 1152				

DIMENSIONS

Unit: mm

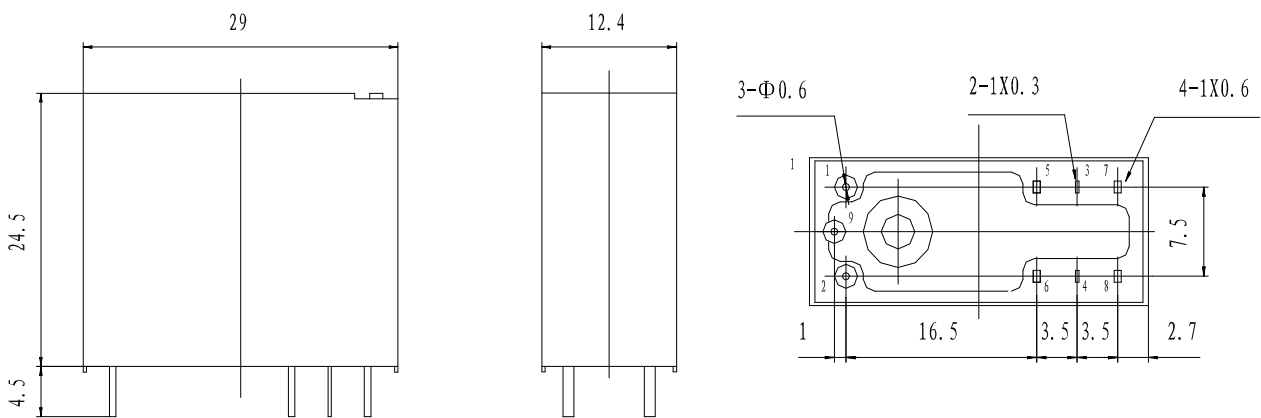
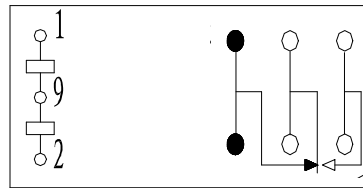


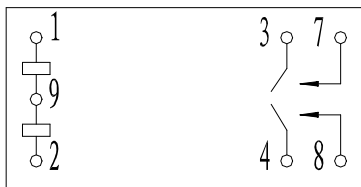
DIAGRAM SCHEMATIC



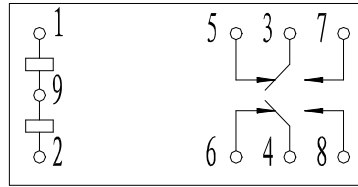
1A (Dual Coil)



1C (Dual Coil)



2A (Dual Coil)



2C (Dual Coil)

Remarks: NO.9 is the Common pin , only exist in dual coil type.

When 1(+), 9(-), the Contacts break, When 2(+), 9(-), the contacts make