



Industrial & Electrical Components

General Purpose Power Relay

Part No.

HHC68BZ



- General purpose power relay
- For plug-in socket, 35mm DIN rail
- Mechanical indicator + lockable test button
- LED option

CONTACT

| | |
|-------------------------|----------------------|
| Arrangement | 2A/B/C, 4A/B/C |
| Contact Material | Silver Alloy |
| Contact Resistive | Max.: 100 mΩ |
| Rating | 5A 240VAC/28VDC (2C) |
| Resistive load (cosφ=1) | 3A 240VAC/28VDC (4C) |
| Max. Switching Voltage | 277VAC/28VDC |
| Min. Breaking Capacity | 0.3W |
| Expected life | |
| Mechanical | 1×10 ⁷ |
| Electrical | 1×10 ⁵ |

CHARACTERISTICS

| | |
|---------------------------|------------------------------|
| Operate Time | 20msec. Max. |
| Release Time | 20msec. Max. |
| Initial breakdown voltage | |
| Between Coil & Contact | 1500VAC (50/60Hz) for 1 min. |
| Between Open Contacts | 1000VAC (50/60Hz) for 1 min. |
| Insulation Resistance | Min.100MΩ (500 VDC) |
| Shock: Endurance | 10G |
| Damage | 100G |
| Vibration Endurance | 10 to 55Hz, 1.0mm D.A. |
| Damage | 10 to 55Hz, 1.0mm D.A. |
| Ambient temperature | -55°C ~ +70°C |
| Unit weight | 35g |

ORDERING INFORMATION

e.g

HHC68BZ - 2C - 12D - L

①

②

③

④

① Part No.

② Contact arrangement:

2C=2C/O

4C=4C/O

③ Coil Voltage: 12D=12VDC

④ L = LED indication

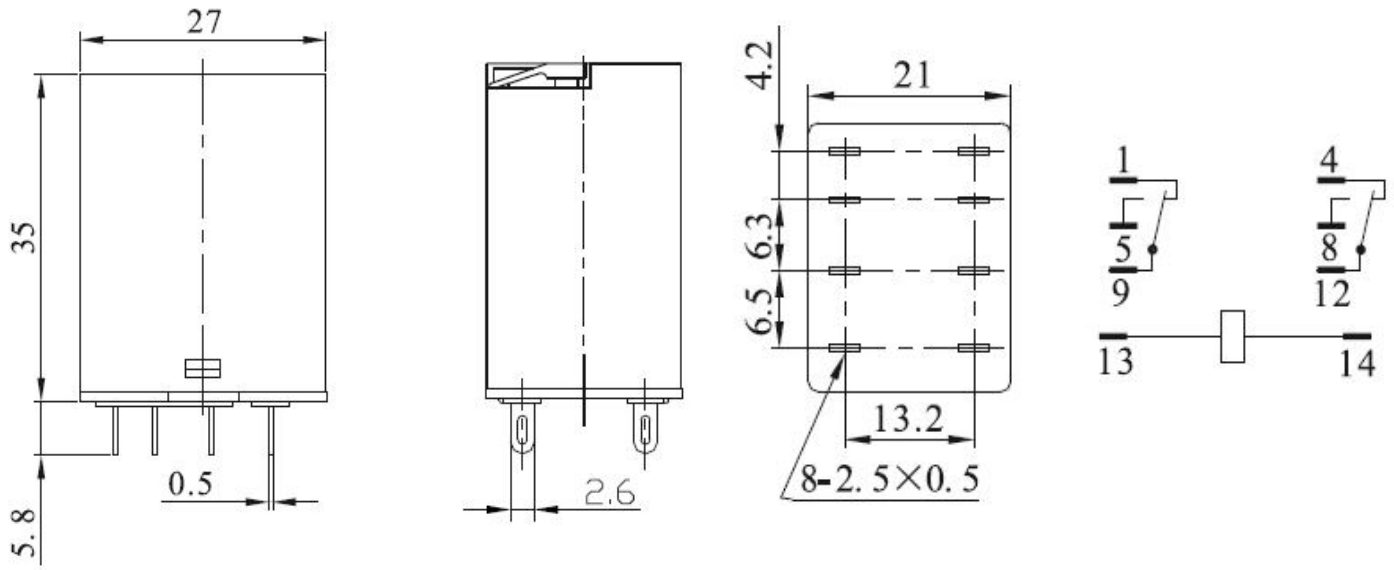
COIL DATA (at 20°C)

| Rated Voltage | Pick-up Voltage VDC (Max) | Drop-out Voltage VDC (Min) | Coil Resistance (Ω) ± 10% | Nominal operating Power | Max.Allowable Voltage (VDC) |
|---------------|------------------------------|-------------------------------|------------------------------|-------------------------|--------------------------------|
| 12VDC | 9.00 | 1.20 | 160.00 | 0.9W | 110% of nominal voltage |
| 24VDC | 18.00 | 2.40 | 640.00 | | |
| 48VDC | 36.00 | 4.80 | 2560.00 | | |
| 110VDC | 82.50 | 11.00 | 13450.00 | | |
| 12VAC | 9.60 | 3.60 | 42.00 | 1.2VA | |
| 24VAC | 19.20 | 7.20 | 168.00 | | |
| 48VAC | 38.40 | 14.40 | 672.00 | | |
| 220VAC | 176.00 | 66.00 | 14100.00 | | |

DIMENSIONS

Unit: mm

DPDT



4PDT

