

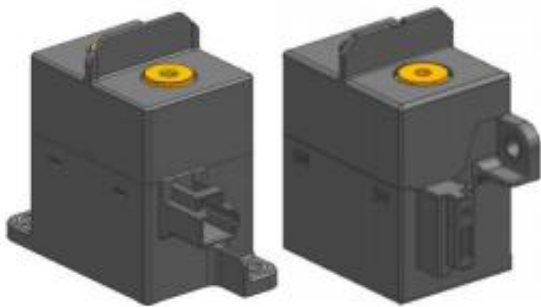


Industrial & Electrical Components

Power Relay

Part No.

NN82C-250



- Unique magnetic arc-extinguishing design
- and 1500V high capacity breaking capability.
- Unique contact design to support surge and high current resistant capability.
- Unique design to support short circuit Min. 8kA.
- Withstand voltage 4kV between high and low voltage.
- Load and coil connect with no-polarity.
- RoHS compliant.

MAIN CONTACT DATA

Contact Arrangement	H (normal-open)
Contact Material	Silver-copper Alloy
Contact Resistive	Max.: 0.3 mΩ (at 250A)
Rating	DC1500V 250A
Min. Load Current	6V/1A
Electrical Life (OFF)	250A/750V, 500 OPS
	1800A/500V, 1 OP
Electrical Life (ON)	1500A/750V, 1 OP
	140A/20V, 75000 OPS
Short-Circuit Current	8000A (5ms), 1 OP
Mechanical Life	2×10 ⁵ (0.5s ON,0.5s OFF)
Ambient temperature	-40°C ~ +70°C
Humidity	5~85% RH

MAIN CONTACT CHARACTERISTICS

Operate Time	30msec. Max.
Release Time	10msec. Max.
Initial breakdown voltage	
Coil & Contact	4000VAC (50/60Hz) for 1 min.
Main & Auxiliary Contacts	4000VAC (50/60Hz) for 1 min.
Insulation Resistance	Coil & Contact: Min.1000MΩ
	Main & Auxiliary Contacts: Min.1000MΩ
Impulse Voltage	Between Coil & Contact: 10kV(1.2x50μs)
Shock:	Endurance ON: 588 m/s ² ; OFF: 196 m/s ²
	Damage 588 m/s ²
Vibration Sine	10 to 500Hz, 1.5mm D.A. 49m/s ²
Unit weight	Approx. 400g

Note: The datas shown above are initial values at room temperature.

ORDERING INFORMATION

e.g

NN82C - 250 / 1000 - XX - H C Y 5 - XXX

- ① ② ③ ④ ⑤ ⑥ ⑦ ⑧ ⑨

- ① Model No.
- ② Load Current: 250=250A
- ③ Load Voltage:1000=1000Vdc;1500=1500Vdc
- ④ Coil Voltage:12=12Vdc, 24=24Vdc;
- ⑤ Main contact form: H (N/O)
- ⑥ Coil Terminal: C= Connector
- ⑦ Installation Mode: Nil=Vertical installation;
Y=Horizontal installation;
- ⑧ Main Contact Mode: 5=Internal screw thread
- ⑨ Special custom code

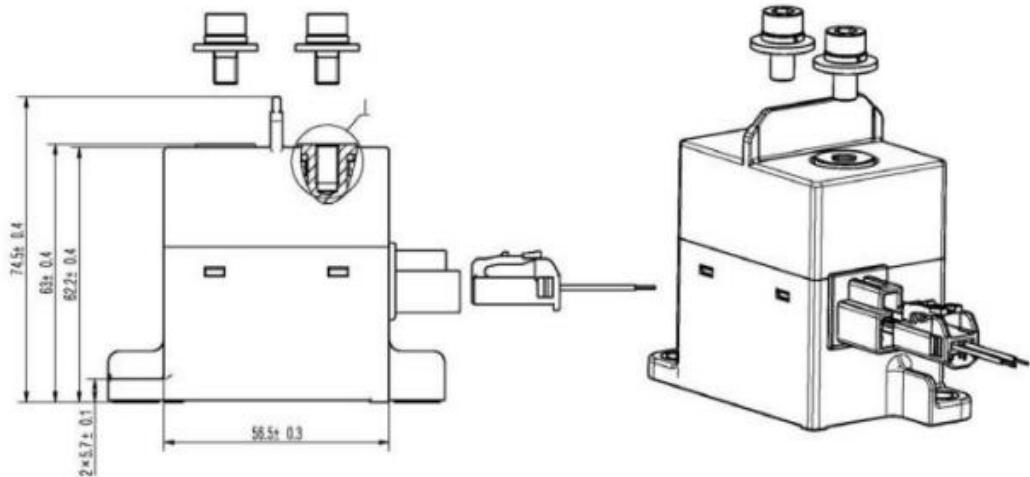
COIL DATA (at 20°C)

Rated Voltage	Pick-up Voltage VDC (Max)	Operate Voltage VDC	Drop-out Voltage VDC (Min)	Coil Resistance (Ω) (1± 7%)	Initial current * & Rated Current (A)	Initial Power * & Steady Power * (W)
12VDC	9	9~16	1	24	0.5	6W
24VDC	18	18~32	2	96	0.5	

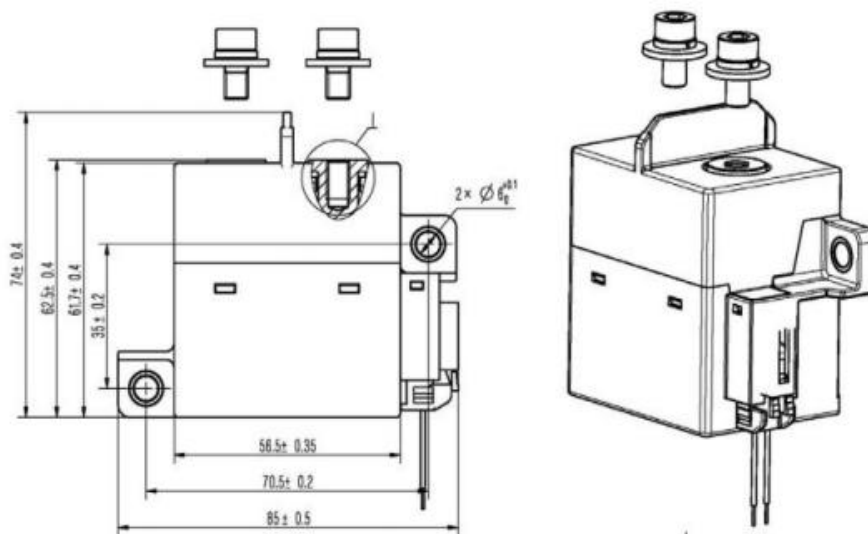
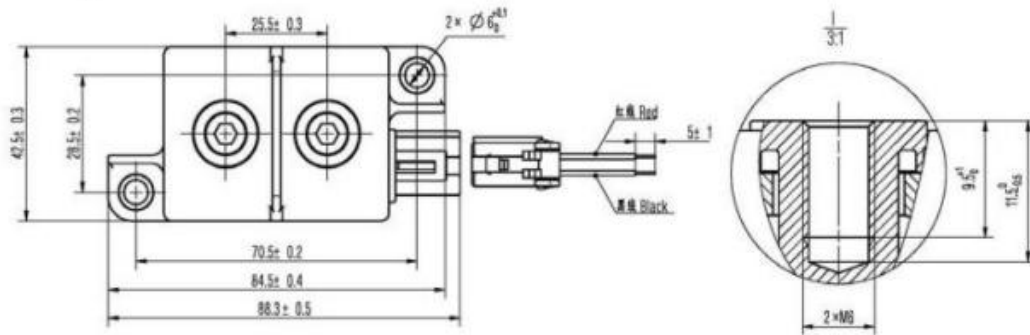
Note: * means at rated volage.

DIMENSIONS

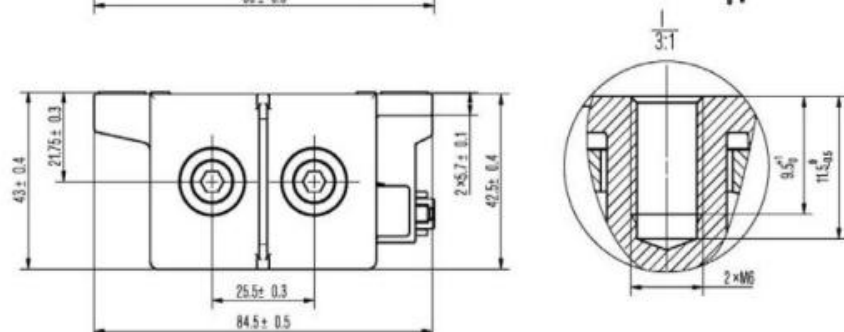
Unit: mm



NN82C-250/XXXX-XX-HC5

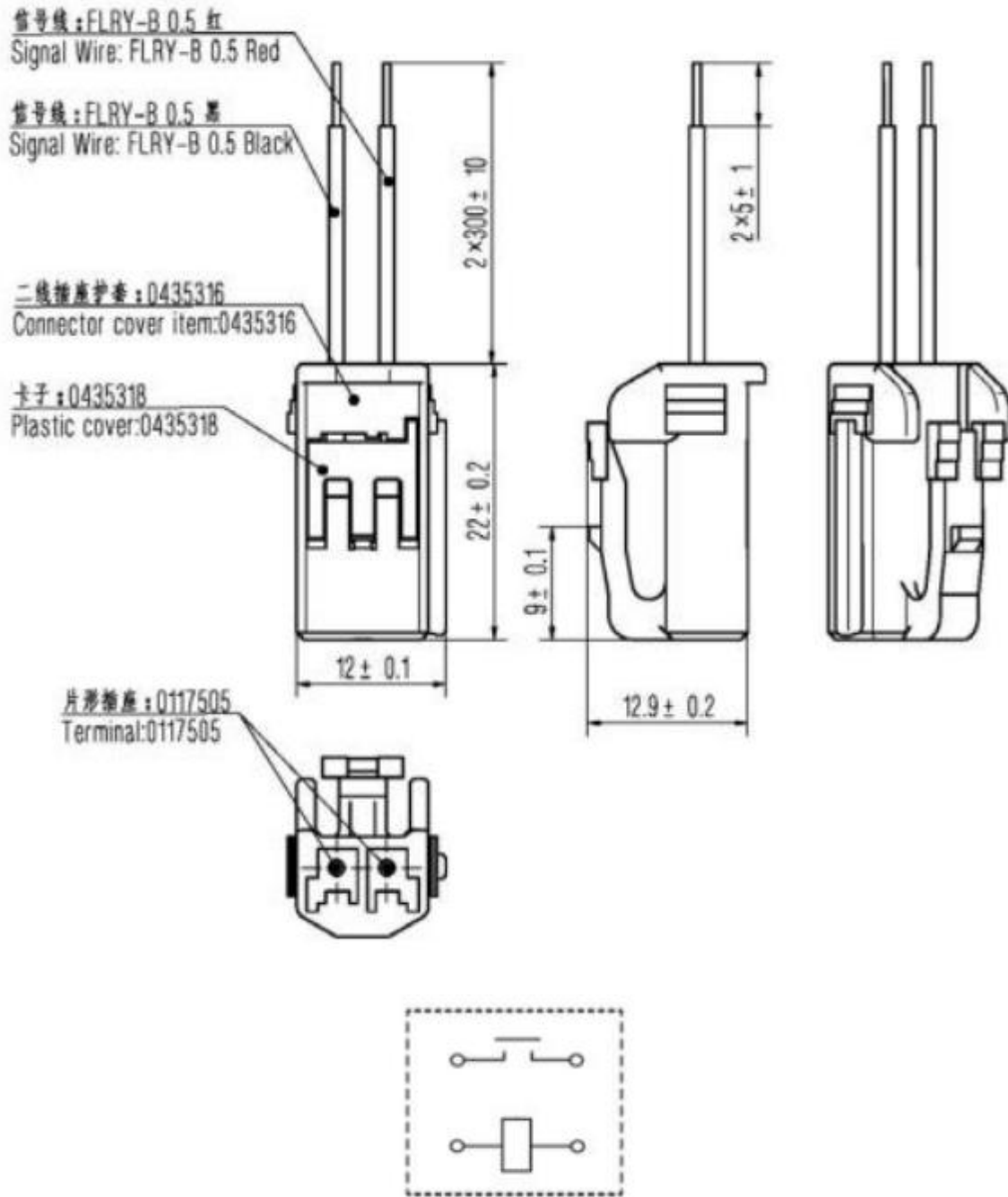


NN82C-250/XXXX-XX-HCY5



Coil Termination :

C=Connector-Tianhai 0435317



Note 1: No polarity on the load and coil.

Note 2: All unspecified tolerance according to following table.

Outline dimensions hadn't specified tolerance	
Outline dimensions	Tolerance
≤ 10	± 0.3
$> 10 \sim 50$	± 0.5
> 50	± 0.8