

NRL709KF-60A 磁保持继电器/Magnetic Latching Relay



◆ 特点 Characteristic

- > 体积小，60A 触点切换能力；
- > 线圈功耗小、温升极低；
- > 触点接触电阻小，电接触稳定性好；
- > 抗冲击、抗振动能力强；
- > 外形尺寸：39.5x30.0x17.0mm。
- > Small size, 60A switching capability.
- > Low coil consumption, ultra-low temperature rise.
- > Low contact resistance.
- > Strong anti-shock and anti-vibration capability.
- > Outline size: 39.5x30.0x17.0mm

◆ 订货标记 Ordering Information

NRL	709KF-	12	-	D	60	①	磁保持继电器代号 Latching Relay
①	②	③	④	⑤		②	产品型号 Part Number
						③	线圈电压 Coil Voltage
						④	D 表示双线圈，S 表示单线圈 D= Double Coil; S= Single Coil
						⑤	60=60A

◆ 性能 Characteristics

绝缘电阻 Insulation resistance		1000MΩ (500VDC)
介质耐压 Dielectric Strength	触点与线圈间 Between Coil & Contacts	4000VAC 1min
	断开触点间 Between Open Contacts	1500VAC 1min
闭合时间 Operate Time		20msec. Max.
断开时间 Release Time		20msec. Max.
抗冲击 Shock resistance	稳定性 Functional	100m/S <sup>2</sup> (10g)
	强度 Destructive	1000m/S <sup>2</sup> (100g)
振动 Vibration resistance		10~55Hz 1.5mm
湿度 Humidity		98%RH ,40°C
温度范围 Ambient temperature		-40~ +55°C
引出端方式 Termination		PCB
重量 Unit weight		50g
封装形式 Construction		密封型 Sealed type

## NRL709KF-60A 磁保持继电器/Magnetic Latching Relay

## ◆ 触点参数 Contact Data

触点形式 Contact form	1A/1B
触点材料 Contact material	AgSnO2
接触电阻 Contact resistance	Max.: 1.5 mΩ
触点负载 Contact Rating	60A 250VAC
最大转换功率 Max. Switching Power	15000VA
机械寿命 Mechanical life	$5 \times 10^5$
电气寿命 Electrical life	$1 \times 10^4$

## ◆ 线圈 Coil

线圈功耗 Coil power	单线圈: 1.0W 双线圈: 2.0W Single coil: 1.0W Double coil: 2.0W
-----------------	--

## ◆ 线圈参数 Coil Data

额定电压 (VDC) Rated Voltage	动作电压 (VDC) Pick-up voltage	脉冲宽度 (ms) Pulse Duration	线圈电阻 (Ω) Coil Resistance
单线圈 Single coil			
5	6.75	50	25±10%
12	9	50	144±10%
24	18	50	576±10%
48	36	50	2304±10%
双线圈 Double coil			
5	6.75	50	2x12.5±10%
12	9	50	2x72±10%
24	18	50	2x288±10%
48	36	50	2x1152±10%

备注：如需其它额定电压，可特殊定货。

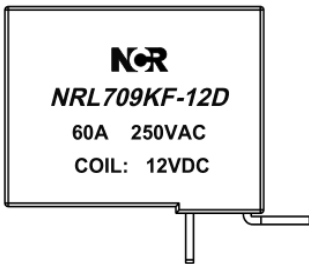
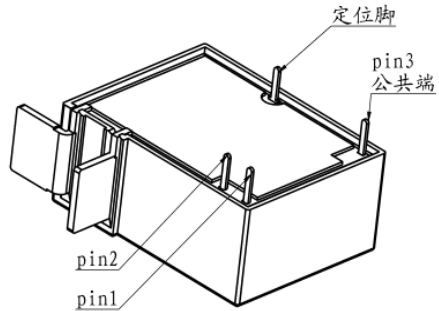
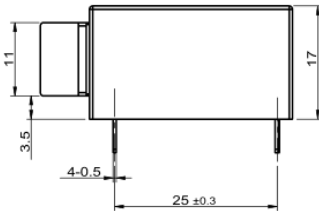
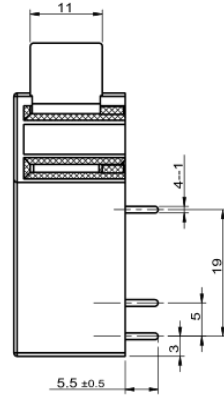
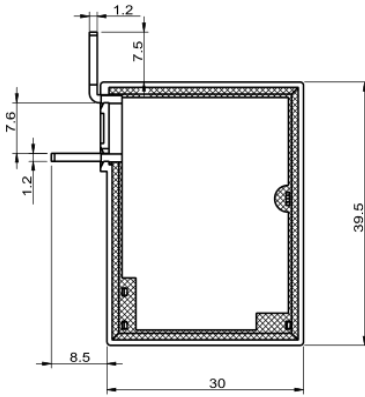
Note: Special ordering for other coil voltage.

## ◆ 典型应用 Typical Application

- 1) 主要用于 IC 卡预付费电表，集中抄表系统；  
Prepayment Energy Meter/Water Meters/Gas Meters
- 2) 也用于复合开关、家电和自动控制装置。  
Electrical Telecommunication, Auto Controlling

**NRL709KF-60A 磁保持继电器/Magnetic Latching Relay**

◆ 尺寸图 Dimensions(mm)/ 接线图 Circuit Diagram



Contact position		
Pins wiring	1 (+) 3 (-)	2 (+) 3 (-)