

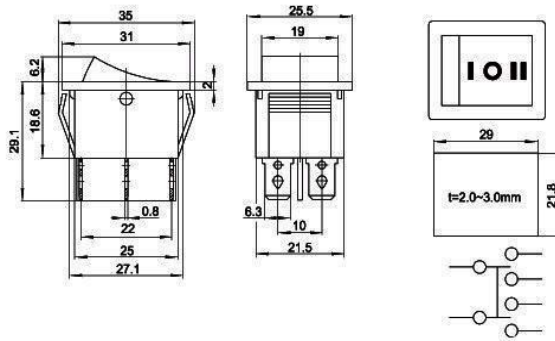


ROCKER SWITCH

Part No.

KCD4-203

KCD4-203



Parameter

|                        |                                   |
|------------------------|-----------------------------------|
| Types:                 | ON-OFF;ON-ON;ON-OFF-ON            |
| Actuator:              | Polycarbonate                     |
| Base:                  | Nylon (PA) 66                     |
| Contacts:              | Silver plated Copper/Silver Alloy |
| Life:                  | ≥10000times                       |
| Terminals:             | Tin-Plated Copper                 |
| Movable Arm:           | Tin-Plated Copper                 |
| Dielectric Strength:   | 1500V for 1 Min                   |
| Insulation Resistance: | ≥100MΩ                            |

Characteristic

|                       |               |
|-----------------------|---------------|
| Rated Voltage:        | 15A 250VAC    |
| Rated Current:        | 30A 250VAC    |
| Insulated Resistance: | ≥100MΩ        |
| Contact Resistance:   | ≤50MΩ         |
| Dielectric Strength:  | 1500VAC/5S    |
| Endurance:            | ≥10000 Cyckes |
| Ambient Temp:         | T85           |
| Contact Resistance:   | ≤30mΩ         |
| Temperature Range:    | -30~85℃       |

Model Description

e.g

KCD 4 - 2 03 (E) (N) -2 C7- R / R

- ① ② ③ ④ ⑤ ⑥ ⑦ ⑧ ⑨ ⑩

- ① Rocker Switch
- ② Small Type
- ③ Poles
- ④ Circuit Function
- ⑤ Dot
- ⑥ Neon Lamp
- ⑦ Product Number
- ⑧ Cap Marking
- ⑨ Cap Color
- ⑩ Base Color

### Circuitry Trait

### Cap Color

### Base Color

|                  |            |
|------------------|------------|
| 01 ON - OFF      | Black <B>  |
| 02 ON - OFF      | White <W>  |
| 11 <ON> OFF      | Red <R>    |
| 12 ON - <ON>     | Yellow <Y> |
| 03 ON OFF ON     | Green <G>  |
| 13 ON OFF <ON>   | Orange <O> |
| 23 <ON> OFF <ON> | Gray <GR>  |

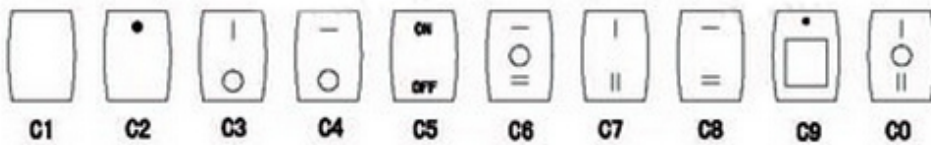
|           |
|-----------|
| Black <B> |
| White <W> |
| Gray <GR> |

### Ratings for different series:

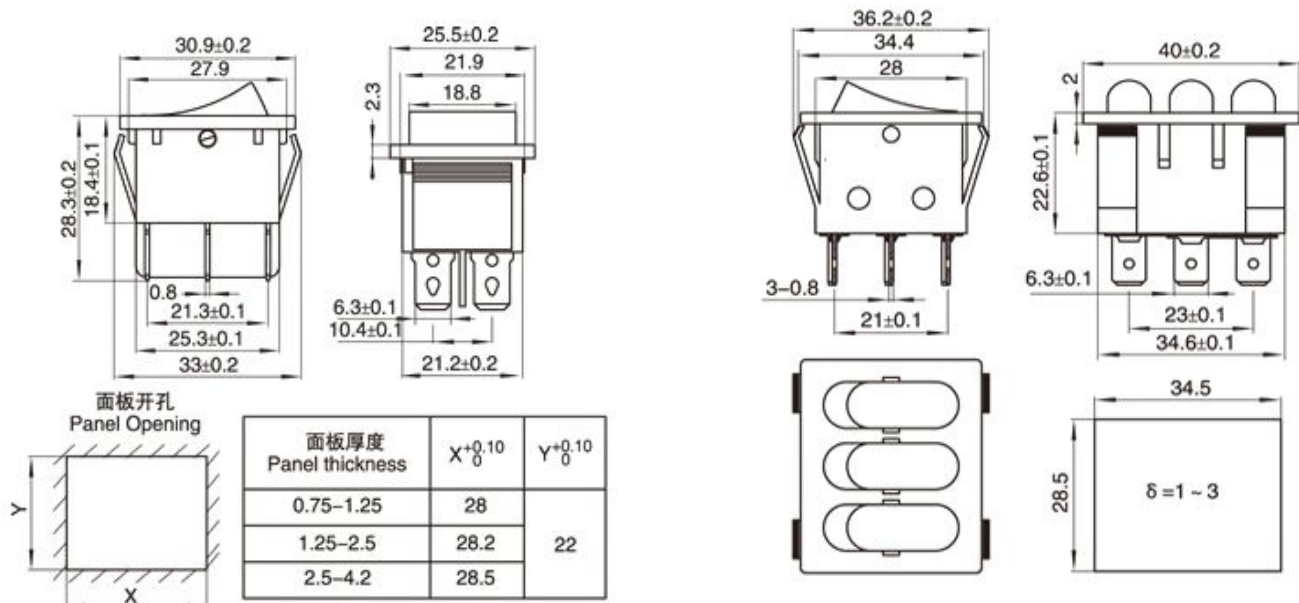
|      |                                   |
|------|-----------------------------------|
| KCD1 | 10A 125VAC; 6A 250VAC             |
| KCD2 | 20A 125VAC; 15A 250VAC; 35A 12VDC |
| KCD3 | 20A 125VAC; 15A 250VAC; 35A 13VDC |
| KCD4 | 15A 250VAC; 30A 250VAC            |
| KCD5 | 6A 125VAC ; 3A 250VAC             |

< > : Indicates Momentary

### Cap Marking



### DIMENSIONS (Unit: mm)



## Circuit Diagram

| 系列号<br>Series No | 电路图<br>Circuit diagram | 端子规格<br>Terminal         | 开关标记<br>Making    | 颜色代码<br>Color code | 按钮类型<br>Actuator |    |
|------------------|------------------------|--------------------------|-------------------|--------------------|------------------|----|
| KCD4-101/4P      | ON-OFF<br>             | <p>6.3 × 0.8<br/>9.9</p> | 1 空白<br>No Making | 9 关 开              | K                | V形 |
| KCD4-101/4PV     | (ON)-OFF<br>           |                          | 2 ○ —             | 10 前进<br>后退        | W                | C形 |
| KCD4-101/4PN     | ON-OFF<br>             |                          | 3   ○             | 11 开启<br>关闭        | Y                | B形 |
| KCD4-101/6P      | ON-ON<br>              |                          | 4 ●               | 12 快速<br>慢速        | R                |    |
| KCD4-101/6PN     | ON-ON<br>              |                          | 5                 | 13 ○               | G                |    |
| KCD4-101/6PD     | ON-OFF-ON<br>          |                          | 6 手动 自动           | 14 ○               | O                |    |
| KCD4-101/DW      | (ON)-OFF-(ON)<br>      |                          | 7 止 ON NO         | 15 ● 开             | B                |    |
|                  |                        |                          | 8 ◁ ○ ▷           | 16 ◡ ● ◣           |                  |    |
|                  |                        |                          | 17 客人要求           |                    |                  |    |

