

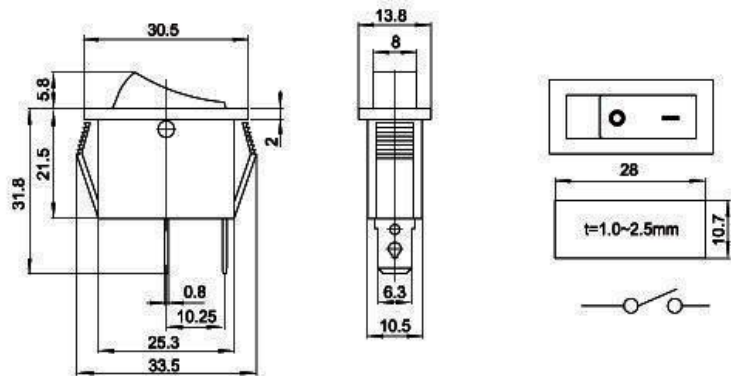


ROCKER SWITCH

Part No.

KCD2-101

KCD2-101



Parameter

Types:	ON-OFF;ON-ON;ON-OFF-ON
Actuator:	Polycarbonate
Base:	Nylon (PA) 66
Contacts:	Silver plated Copper/Silver Alloy
Life:	≥10000times
Terminals:	Tin-Plated Copper
Movable Arm:	Tin-Plated Copper
Dielectric Strength:	1500V for 1 Min
Insulation Resistance:	≥100MΩ

Characteristic

Rated Voltage:	20A 125VAC
Rated Current:	16A 250VAC
Insulated Resistance:	≥100MΩ
Contact Resistance:	≤50MΩ
Dielectric Strength:	1500VAC/5S
Endurance:	≥10000 Cyckes
Ambient Temp:	T85
Contact Resistance:	≤30mΩ
Temperature Range:	-30~85°C

Model Description

e.g
KCD 2 - 1 01 (E) (N) -2 C7- R / R
 ① ② ③ ④ ⑤ ⑥ ⑦ ⑧ ⑨ ⑩

- ① Rocker Switch
- ② Small Type
- ③ Poles
- ④ Circuit Function
- ⑤ Dot
- ⑥ Neon Lamp
- ⑦ Product Number
- ⑧ Cap Marking
- ⑨ Cap Color
- ⑩ Base Color

Circuitry Trait

Cap Color

Base Color

01 ON - OFF	Black
02 ON - OFF	White <W>
11 <ON> OFF	Red <R>
12 ON - <ON>	Yellow <Y>
03 ON OFF ON	Green <G>
13 ON OFF <ON>	Orange <O>
23 <ON> OFF <ON>	Gray <GR>

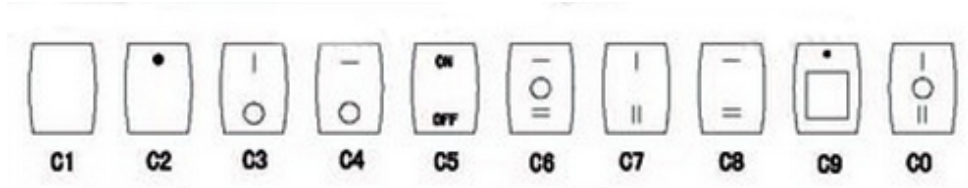
Black
White <W>
Gray <GR>

Ratings for different series:

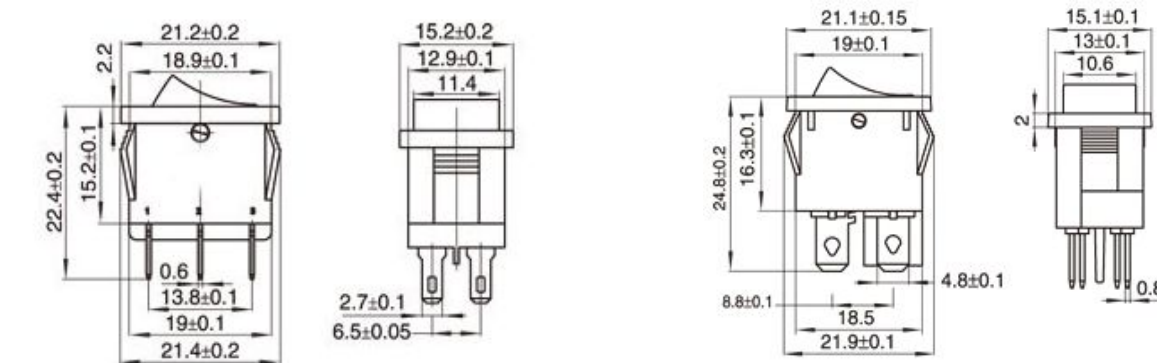
KCD1	10A 125VAC; 6A 250VAC
KCD2	20A 125VAC; 15A 250VAC; 35A 12VDC
KCD3	20A 125VAC; 15A 250VAC; 35A 13VDC
KCD4	15A 250VAC; 30A 250VAC
KCD5	6A 125VAC ; 3A 250VAC

< > : Indicates Momentary

Cap Marking



DIMENSIONS (Unit: mm)



面板开孔
Panel Opening

	面板厚度 Panel thickness	$X^{+0.10}_0$	$Y^{+0.10}_0$
	0.6-1.2	19	13
	1.2-2	19.2	
	2-3	19.4	

面板开孔
Panel Opening

	面板厚度 Panel thickness	$X^{+0.10}_0$	$Y^{+0.10}_0$
	0.6-1.2	19	13
	1.2-2	19.2	
	2-3	19.4	

Circuit Diagram

系列号 Series No	电路图 Circuit diagram	端子规格 Terminal	开关标记 Making	颜色代码 Color code
KCD2-202/4P	ON-OFF 	A 2.8 × 0.6 7.2 ± 0.1	1 空白 No Making	K
KCD2-202/6P	ON-ON 		2 ○ —	W
KCD2-202/D	ON-OFF-ON 	B 2.8 × 0.6 5.5 ± 0.1	3 ●	Y
KCD2-202/DV	(ON)-OFF-ON 		4 米 米	R
KCD2-202/DW	(ON)-OFF-(ON) 		5 ○	G
KCD2-202/DW	(ON)-OFF-(ON) 		6 OFF ON	O
			7 ○	B
			8 客人要求	