



Intelligent Time Relay

Part No.

HHS6A



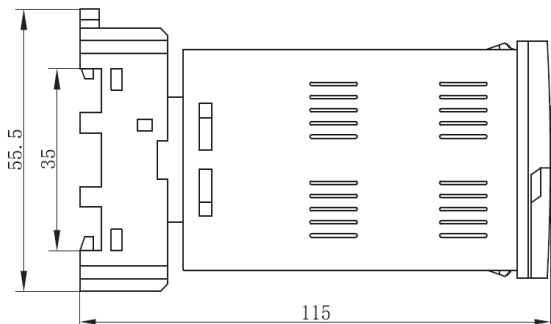
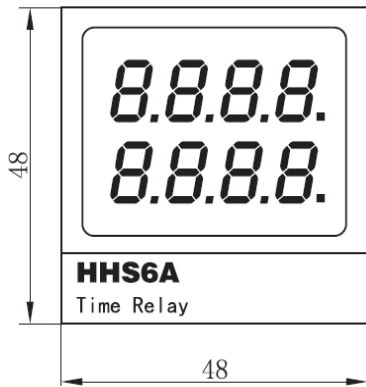
- For circuit of AC 50Hz, up to 380V or 24VDC
- As per standard GB14048.5-2008 & JB/T 10047-1999
- Long life and low consumption

TECHNICAL DATA

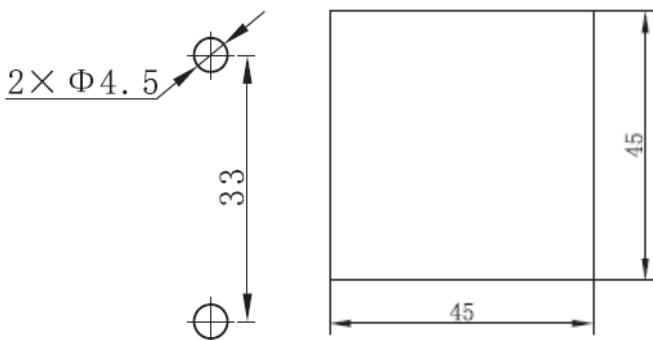
Operation Power	DC24V; AC24V、220V、380V
Delay Range	0.01S~99h99m Hour Minute Second Set
Repeat Error	≤1%
Working Mode	On-delay Time, With Memory and Without Memory are Available
Time Mode	Timing/Countdown Double Row Double Color Display

Contact Arrangement	2Z Delay With Start Reset Function
Contact Capacity	3A AC220V(Resistive)
Outline Dimension	48 x 48mm x 115mm
Cut-Out	45 x 45mm
Mounting Mode	Panel、Device、35mm Din-rail
Electrical Life	1X10 <sup>5</sup>

OUTLINE DIMENSION



CUT-OUT DIMENSIONS (mm)



CIRCUIT DIAGRAM

