



# Electronic Time Relay

Part No.

HHS3 (AH2-N)



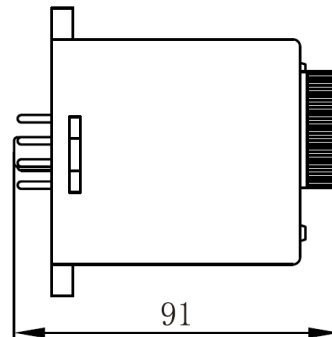
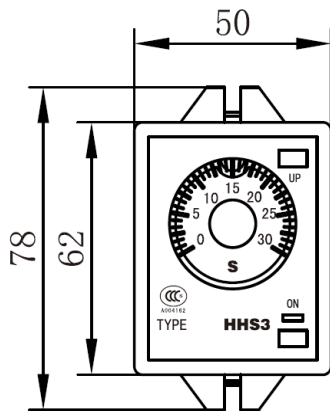
- For circuit of AC 50Hz, up to 380V or 24VDC
- As per standard GB14048.5-2008 & JB/T 10047-1999
- Long life and low consumption

## TECHNICAL DATA

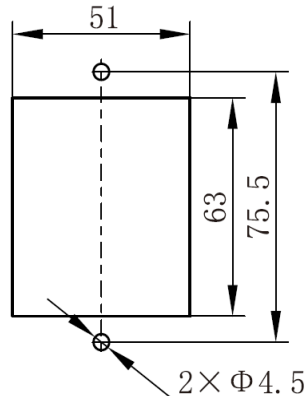
Rated Voltage	DC24V, AC24V, 220V, 380V
Delay Range	1s, 5s, 10s, 30s, 60s, 5min, 10min, 30min, 60min, 5h, 10h
Repeated Error	≤ 1%
Working Mode	Power-On Delay

Control Mode	2Z Delay
Contact Capacity	3A AC220V (Resistive)
Outline Dimension	78 x 50 x 92mm
Cut-Out Dimension	75.5-2 x Φ4.5mm
Electrical Life	1x10 <sup>5</sup>
Mounting Mode	Panel

## OUTLINE DIMENSIONS



## CUT-OUT DIMENSIONS (mm)



## CIRCUIT DIAGRAM

