

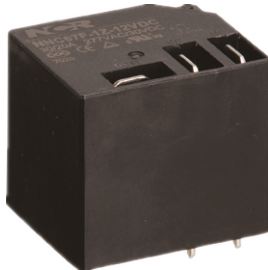


Industrial & Electrical Components

Miniature  
P.C.B Relay

Part No.

NRP-16



High switching capacity - 30A for 1 Form A  
Fasten connection pins  
Sealed type available  
UL/C-UL recognized

**CONTACT**

Arrangement	1A / 1B / 1C
Contact Material	Silver Alloy
Contact Resistive	100 mΩ
Rating	1A: 30A 240VAC/28VDC
Resistive load (cosφ=1)	1B: 20A 240VAC/28VDC 1C: 20A 240VAC/28VDC
Max. Switching Voltage	250VAC 30VDC
Max. Switching Current	30A
Max. Switching Power	6000VA / 560W
Expected life	
Mechanical	1×10 <sup>6</sup> Min
Electrical	1×10 <sup>5</sup> Min.

**CHARACTERISTICS**

Operate Time	15ms. Max.
Release Time	10ms. Max.
Initial breakdown voltage	
Between Coil & Contact	2200VAC (50/60Hz)for 1 min.
Between Open Contacts	1500VAC (50/60Hz)for 1 min.
Insulation Resistance	Min.100MΩ (500 VDC)
Shock:	
Endurance	10G
Damage	100G
Vibration	
Endurance	10 to 55 Hz ,1.5mm D.A.
Damage	10 to 55 Hz ,1.5mm D.A.
Humidity	40%~85%RH
Ambient temperature	-40 to +70
Unit weight	36g

**ORDERING INFORMATION**

e.g

NRP - 16 - C - 12D

Series: Miniature p.c.b Relay

Part No.

Contact Form:

C=1C/O; A = N/O; B= N/C

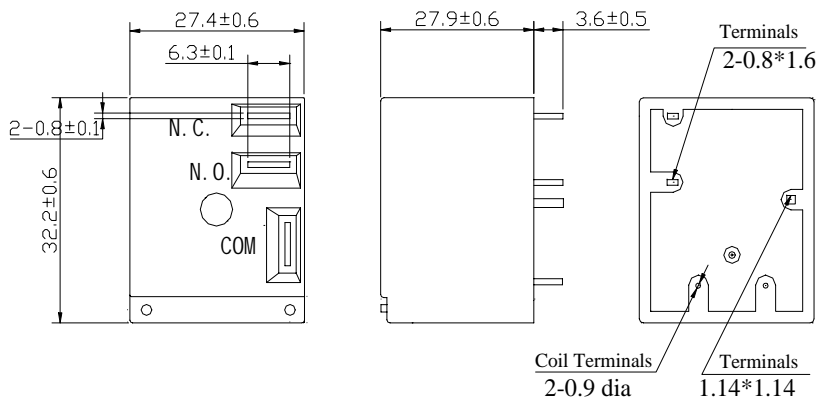
Coil Voltage: 12D= 12Vdc 24D= 24Vdc

**COIL DATA (at 20 )**

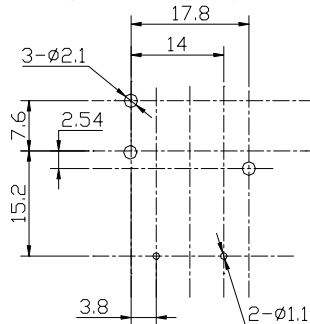
Nominal Voltage (VDC)	Pick-up Voltage VDC(Max)	Drop-out Voltage VDC(Min)	Coil Resistance (Ω)±10%	Nominal operating Power (W)	Max.Allowable Voltage
5	3.75	0.50	26.9	0.93	130% of nominal Voltage
6	4.50	0.60	38.8		
9	6.75	0.90	87.1		
12	9.00	1.20	154.9		
24	18.00	2.40	619.4		
48	36.00	4.80	2477.5		

**DIMENSIONS**

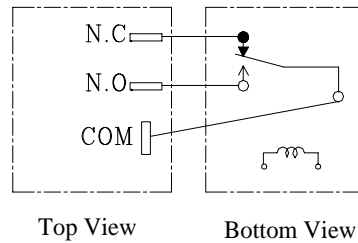
Unit: mm



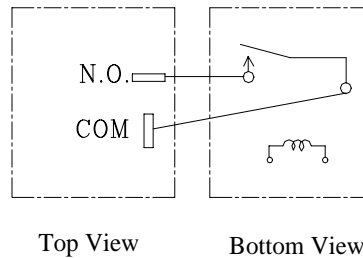
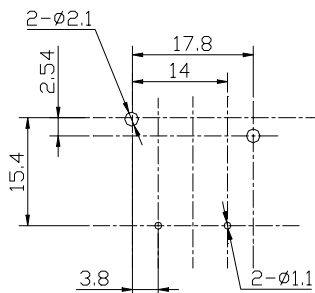
PC board pattern (Bottom View)



Schematic



NRP-16C



NRP-16A