

## NRL709C 磁保持继电器 /Magnetic Latching Relay



## ◆ 特点 Characteristic

- > 体积小, 100A 触点切换能力;
- > 线圈功耗小、温升极低;
- > 触点接触电阻小, 电接触稳定性好;
- > 抗冲击、抗振动能力强;
- > 外形尺寸: 40x30x22mm;
- > 可根据客户要求焊接分流器和连接铜线。
- > Small size, 100A switching capability.
- > Low coil consumption, ultra-low temperature rise.
- > Low contact resistance.
- > Strong anti-shock and anti-vibration capability.
- > Outline size: 40x30x22mm.
- > Customized terminals like shunt, braided Cu-wire etc.

## ◆ 订货标记 Ordering Information

NRL	709C	-	12	-	S	①	磁保持继电器代号 Latching Relay
①	②	③	④				② 产品型号 Part Number
							③ 线圈电压 Coil Voltage
							④ D 表示双线圈, S 表示单线圈 D = Double Coil; S = Single Coil

## ◆ 性能 Characteristics

绝缘电阻 Insulation resistance		1000M $\Omega$ (500VDC)
介质耐压 Dielectric Strength	触点与线圈间 Between Coil & Contacts	4000VAC 1min
	断开触点间 Between Open Contacts	1800VAC 1min
闭合时间 Operate Time		30msec. Max.
断开时间 Release Time		30msec. Max.
抗冲击 Shock resistance	稳定性 Functional	100m/S <sup>2</sup> (10g)
	强度 Destructive	1000m/S <sup>2</sup> (100g)
振动 Vibration resistance		10~55Hz 1.5mm
湿度 Humidity		98%RH ,40°C
温度范围 Ambient temperature		-40~+70°C
引出端方式 Termination		快连接式 Fast connection
重量 Unit weight		60g
封装形式 Constrution		防尘罩 Dust protected

**NRL709C 磁保持继电器 /Magnetic Latching Relay**
**◆ 触点参数 Contact Data**

触点形式 Contact form	1A/1B
触点材料 Contact material	AgSnO2
接触电阻 Contact resistance	Max.: 1.0mΩ
触点负载 Contact Rating	100A 250VAC
最大转换功率 Max. Switching Power	25000VA
机械寿命 Mechanical life	$5 \times 10^5$
电气寿命 Electrical life	$6 \times 10^3$

**◆ 线圈 Coil**

线圈功耗 Coil power	单线圈 : 1.2W 双线圈 : 2.4W Single coil: 1.2W Double coil: 2.4W
-----------------	--

**◆ 线圈参数 Coil Data**

额定电压 (VDC) Rated Voltage	动作电压 (VDC) Pick-up voltage	脉冲宽度 (ms) Pulse Duration	线圈电阻 (Ω) Coil Resistance
单线圈 Single coil			
9	6.75	100	$67.5 \pm 10\%$
12	9	100	$120 \pm 10\%$
24	18	100	$480 \pm 10\%$
48	36	100	$1920 \pm 10\%$
双线圈 Double coil			
9	6.75	100	$2 \times 34 \pm 10\%$
12	9	100	$2 \times 60 \pm 10\%$
24	18	100	$2 \times 240 \pm 10\%$
48	36	100	$2 \times 960 \pm 10\%$

备注：如需其它额定电压，可特殊定货。

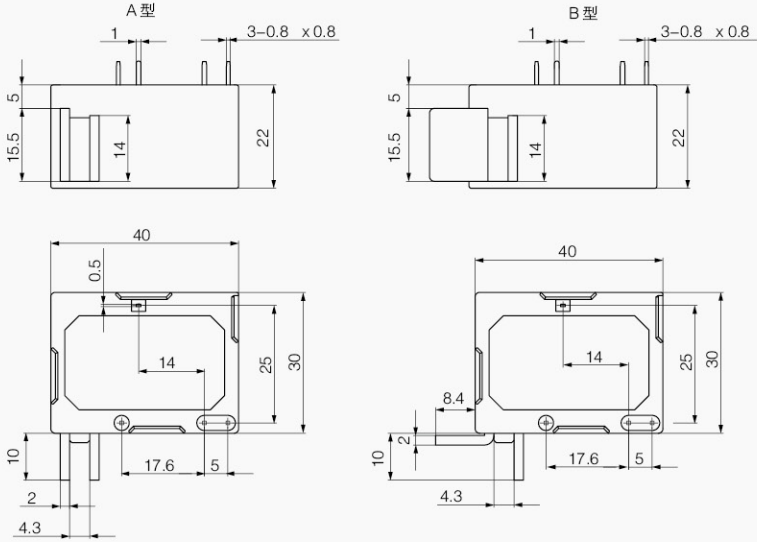
Note: Special ordering for other coil voltage.

**◆ 典型应用 Typical Application**

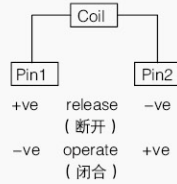
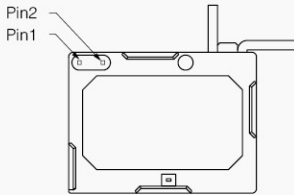
- 1) 主要用于 IC 卡预付电表，集中抄表系统；  
Prepayment Energy Meter; AMR System;
- 2) 也用于复合开关、家电和自动控制装置。  
Compound Switch; Automatic Control System.

## NRL709C 磁保持继电器 / Magnetic Latching Relay

## ◆ 尺寸图 Dimensions(mm)/ 接线图 Circuit Diagram



单线圈 Single coil



双线圈 Double coil

