

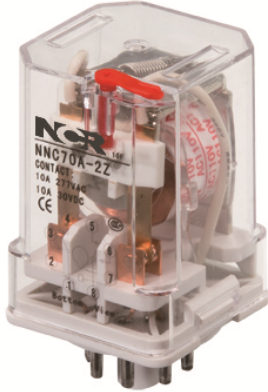


Industrial &amp; Electrical Components

## General Purpose Power Relay

Part No.

HHC70A-2C



- General purpose power relay
- For plug-in socket, 35mm DIN rail
- Matching socket available.

### CONTACT

Arrangement	2C, 3C
Contact Material	Silver Alloy
Contact Resistive	Max.: 50 mΩ
Rating	
Resistive load (cosφ=1)	10A 250VAC/30VDC
Max. Inrush Current	20A
Max. Breaking Capacity	2500VA
Expected life	
Mechanical	1×10 <sup>7</sup>
Electrical	1×10 <sup>5</sup>

### CHARACTERISTICS

Operate Time	20msec. Max.
Release Time	15msec. Max.
Initial breakdown voltage	
Between Coil & Contact	1500VAC (50/60Hz) for 1 min.
Between Open Contacts	1000VAC (50/60Hz) for 1 min.
Insulation Resistance	Min.500MΩ (500 VDC)
Shock: Endurance	10G
Damage	100G
Vibration Endurance	10 to 55Hz, 1.0mm D.A.
Damage	10 to 55Hz, 1.0mm D.A.
Ambient temperature	-25°C ~ +55°C
Unit weight	75g

### ORDERING INFORMATION

e.g

HHC70A - 2C 12D

①

②

③

① Part No.

② Contact arrangement:

2C=2C/O

3C=3C/O;

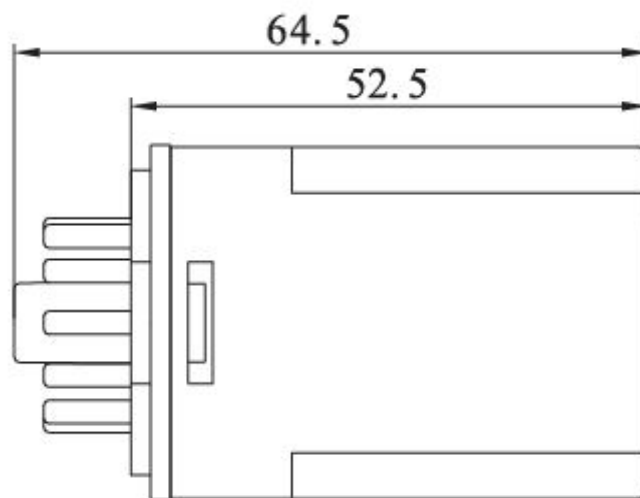
③ Coil Voltage: 12D=12VDC

**COIL DATA (at 20°C)**

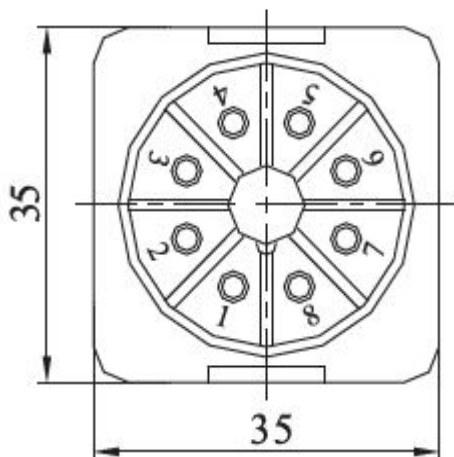
Rated Voltage	Pick-up Voltage VDC (Max)	Drop-out Voltage VDC (Min)	Coil Resistance ( $\Omega$ ) $\pm$ 10%	Nominal operating Power	Max.Allowable Voltage (VDC)
12VDC	9.00	1.20	80.00	1.8W	110% of nominal voltage
24VDC	18.00	2.40	320.00		
48VDC	36.00	4.80	1280.00		
110VDC	82.50	11.00	6720.00		
12VAC	9.60	3.60	19.00	2.7VA	
24VAC	19.20	7.20	75.00		
48VAC	38.40	14.40	300.00		
220VAC	176.00	66.00	6270.00		

**DIMENSIONS**

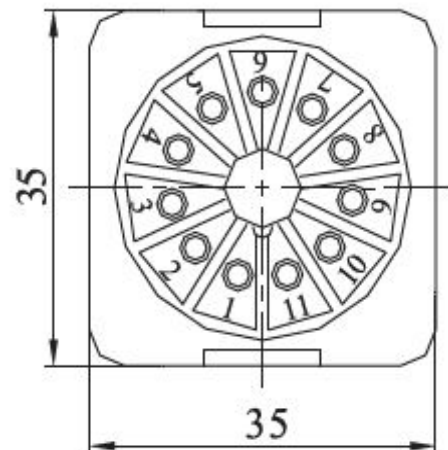
Unit: mm



DPDT



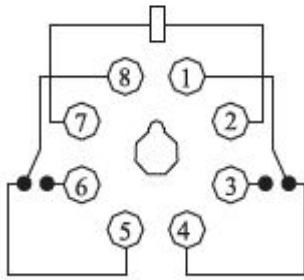
3PDT



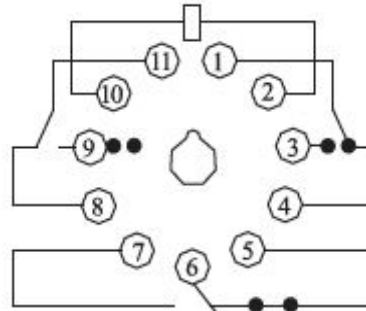
CIRCUIT DIAGRAM (PIN SIDE VIEW)

TYPE A

DPDT

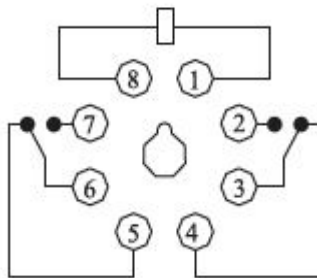


3PDT

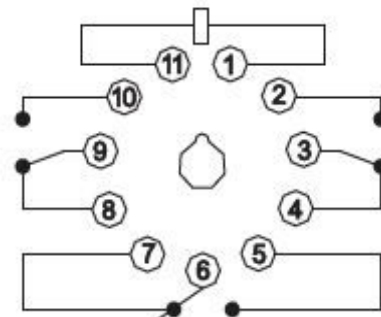


TYPE B

DPDT

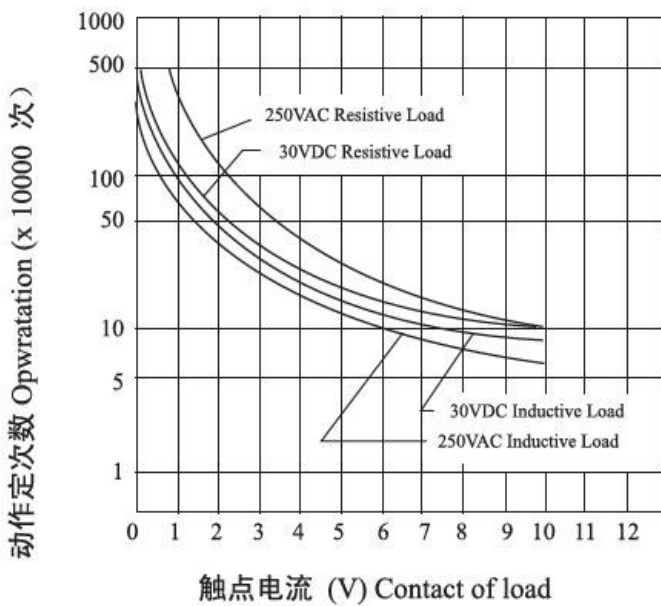


3PDT



REFERENCE CURVE

寿命曲线 Life Expectancy



最大切换功率 Max.operating power

