

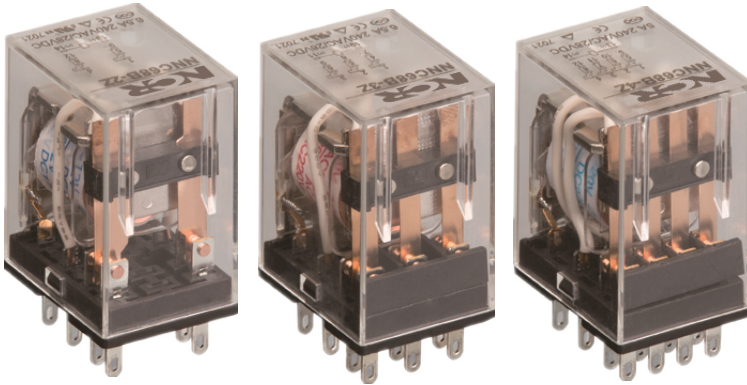


Industrial &amp; Electrical Components

## General Purpose Power Relay

Part No.

HHC68B



- General purpose power relay
- For plug-in socket, 35mm DIN rail
- UL/C-UL approved.
- LED option

### CONTACT

Arrangement	2/3/4 A/B/C
Contact Material	Silver Alloy
Contact Resistive	Max.: 100 mΩ
Rating	5A 240VAC/28VDC (2/3C)
Resistive load (cosφ=1)	3A 240VAC/28VDC (4C)
Max. Switching Voltage	277VAC/28VDC
Min. Breaking Capacity	0.3W
Expected life	
Mechanical	1×10 <sup>7</sup>
Electrical	1×10 <sup>5</sup>

### CHARACTERISTICS

Operate Time	15msec. Max.
Release Time	10msec. Max.
Initial breakdown voltage	
Between Coil & Contact	1500VAC (50/60Hz) for 1 min.
Between Open Contacts	1000VAC (50/60Hz) for 1 min.
Insulation Resistance	Min.100MΩ (500 VDC)
Shock: Endurance	10G
Damage	100G
Vibration: Endurance	10 to 55Hz, 1.0mm D.A.
Damage	10 to 55Hz, 1.0mm D.A.
Ambient temperature	-25℃ ~ +55℃
Unit weight	35g

### ORDERING INFORMATION

e.g

HHC68B - 2C · 12D - L

①                      ②                      ③                      ④

① Part No.

② Contact arrangement:

2C=2C/O; 3C=3C/O;

4C=4C/O;

③ Coil Voltage: 12D=12VDC

④ L = LED indication

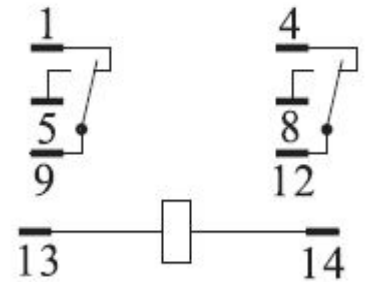
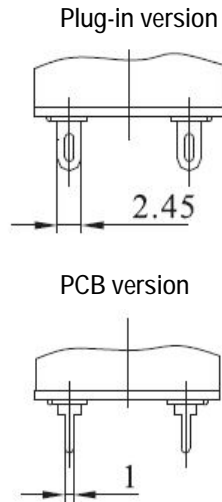
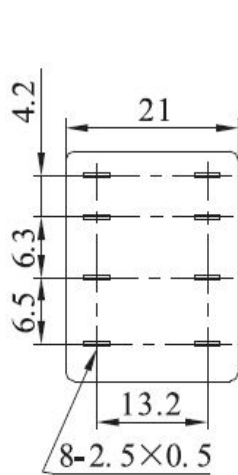
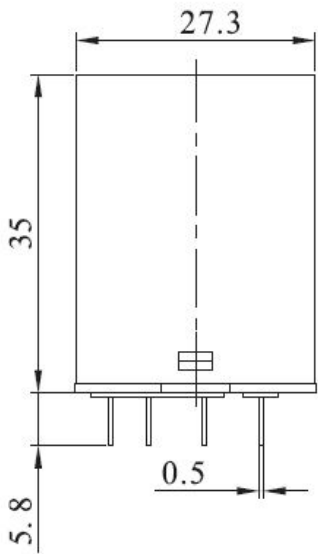
**COIL DATA (at 20°C)**

Rated Voltage	Pick-up Voltage VDC (Max)	Drop-out Voltage VDC (Min)	Coil Resistance (Ω) ± 10%	Nominal operating Power	Max.Allowable Voltage (VDC)
12VDC	9.00	1.20	160.00	0.9W	110% of nominal voltage
24VDC	18.00	2.40	640.00		
48VDC	36.00	4.80	2560.00		
110VDC	82.50	11.00	13450.00		
12VAC	9.60	3.60	42.00	1.2VA	
24VAC	19.20	7.20	168.00		
48VAC	38.40	14.40	672.00		
220VAC	176.00	66.00	14100.00		

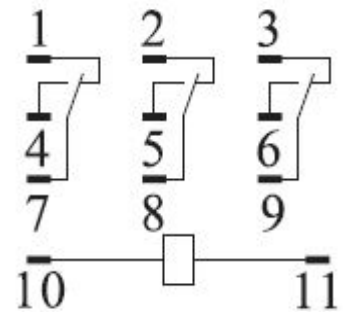
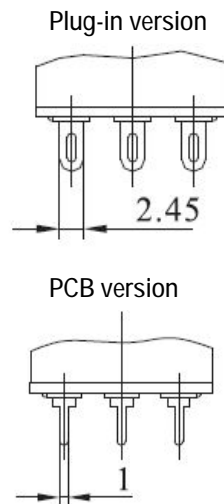
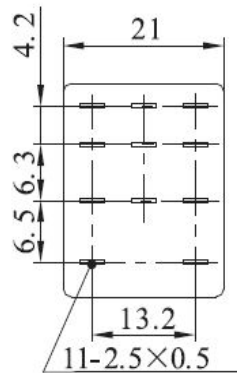
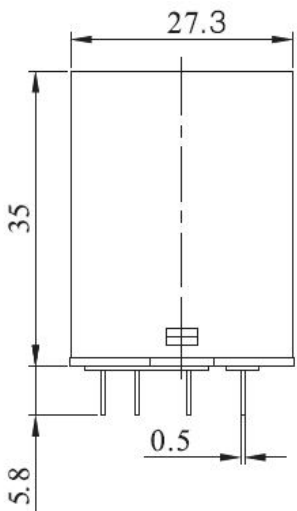
**DIMENSIONS**

Unit: mm

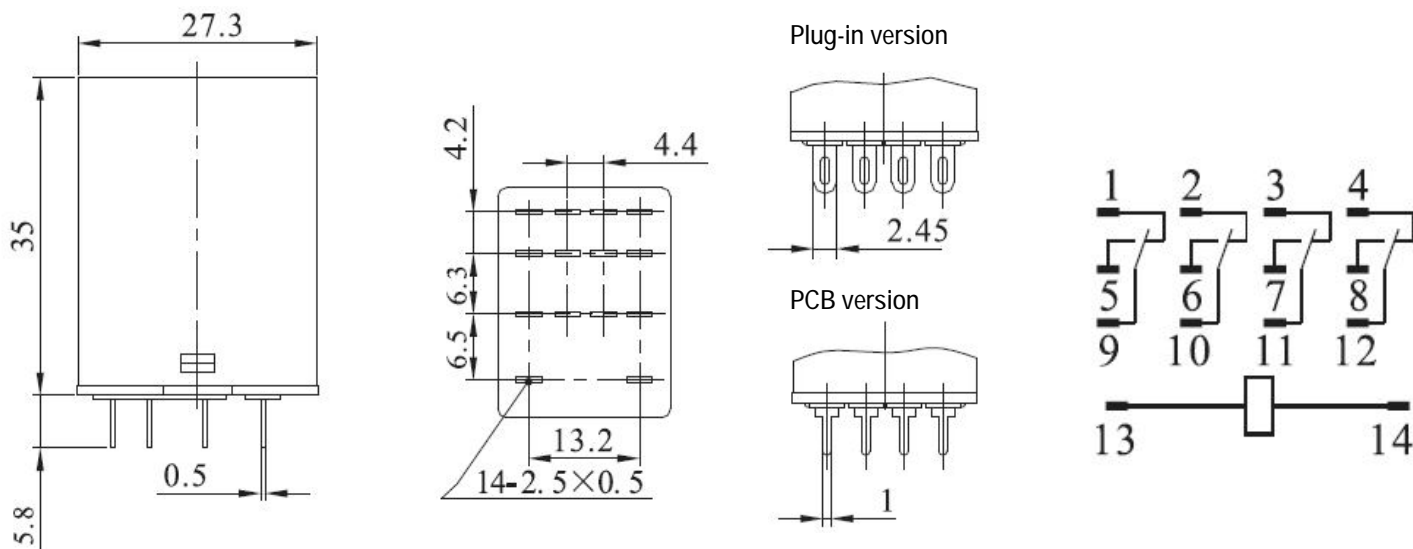
DPDT



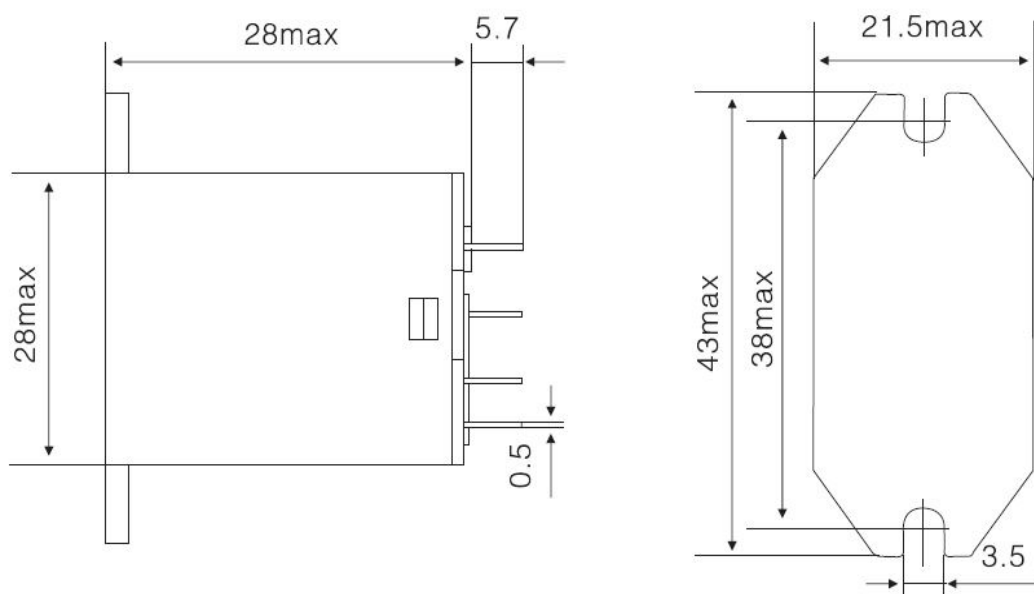
3PDT



4PDT



FLANGE MOUNTED VERSION



REFERENCE CURVE

