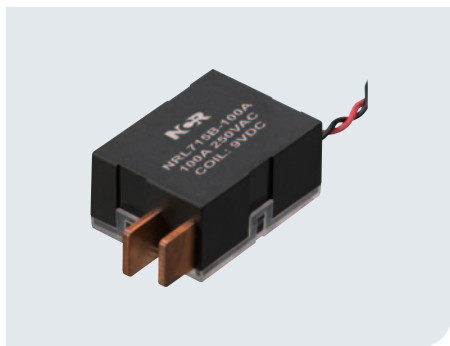


## NRL715B 电机驱动继电器/Motor Latching Relay



### ◆ 特点 Characteristic

- > 100A 触点切换能力；
- > 电机驱动，防磁能力强；
- > 触点接触电阻小，电接触稳定性好；
- > 抗冲击、抗振动能力强；
- > 外形尺寸：41×30.8×20mm；
- > 符合 IEC62055-31 UC3 标准；
- > 100A switching capability.
- > Drived by motor with high magnetic resistant capability.
- > Low contact resistance.
- > Strong anti-shock and anti-vibration capability.
- > Outline size: 41×30.8×20mm.
- > IEC62055-31 UC3 Compliant

### ◆ 订货标记 Ordering Information

NRL	715B	09	-	S	-	100	① 磁保持继电器代号 Latching Relay
①	②	③		④		⑤	② 产品型号 Part Number
							③ 线圈电压 Coil Voltage
							④ 单线圈 Single Coil
							⑤ 100=100A

### ◆ 性能 Characteristics

绝缘电阻 Insulation resistance		1000MΩ (500VDC)
介质耐压 Dielectric Strength	触点与线圈间 Between Coil & Contacts	4000VAC 1min
	断开触点间 Between Open Contacts	2000VAC 1min
闭合时间 Operate Time		90msec. Max.
断开时间 Release Time		90msec. Max.
抗冲击 Shock resistance	稳定性 Functional	98m/S <sup>2</sup>
	强度 Destructive	980m/S <sup>2</sup>
振动 Vibration resistance		10~55Hz 1.5mm
湿度 Humidity		5%-85%RH
温度范围 Ambient temperature		-40 ~ +85°C
引出端方式 Termination		快连接式 Fast connection
重量 Unit weight		55g
封装形式 Constrution		防尘罩 Dust protected

## NRL715B 电机驱动继电器/Motor Latching Relay

## ◆ 触点参数 Contact Data

触点形式 Contact form	1A/1B
触点材料 Contact material	AgSnO <sub>2</sub>
接触电阻 Contact resistance (1A 6VDC) 测试点离外壳5mm处 ( Test point within 5mm distance from the casing )	Max: 1.0mΩ
触点负载 Contact Rating	100A 250VAC
最大转换电流 Max. Switching Current	100A
最大转换电压 Max. Switching Voltage	277VAC
最大转换功率 Max. Switching Power	25000VA
机械寿命 Mechanical life	1×10 <sup>5</sup>
电气寿命 Electrical life (阻性负载 Resistive)	1×10 <sup>4</sup>

## ◆ 线圈 Coil

线圈功耗 Coil power	单线圈: 4.0W Single coil: 4.0W
-----------------	-----------------------------

## ◆ 线圈参数 Coil Data

额定电压 (VDC) Rated Voltage	动作电压 (VDC) Pick-up voltage	脉冲宽度 (ms) Pulse Duration	线圈电阻 (Ω) Coil Resistance
单线圈 Single coil			
9	≤ 6.8	100	20±15%

驱动条件：9VDC-16VDC 100ms 脉冲  
Driving conditions:9VDC-16VDC 100ms pulse.

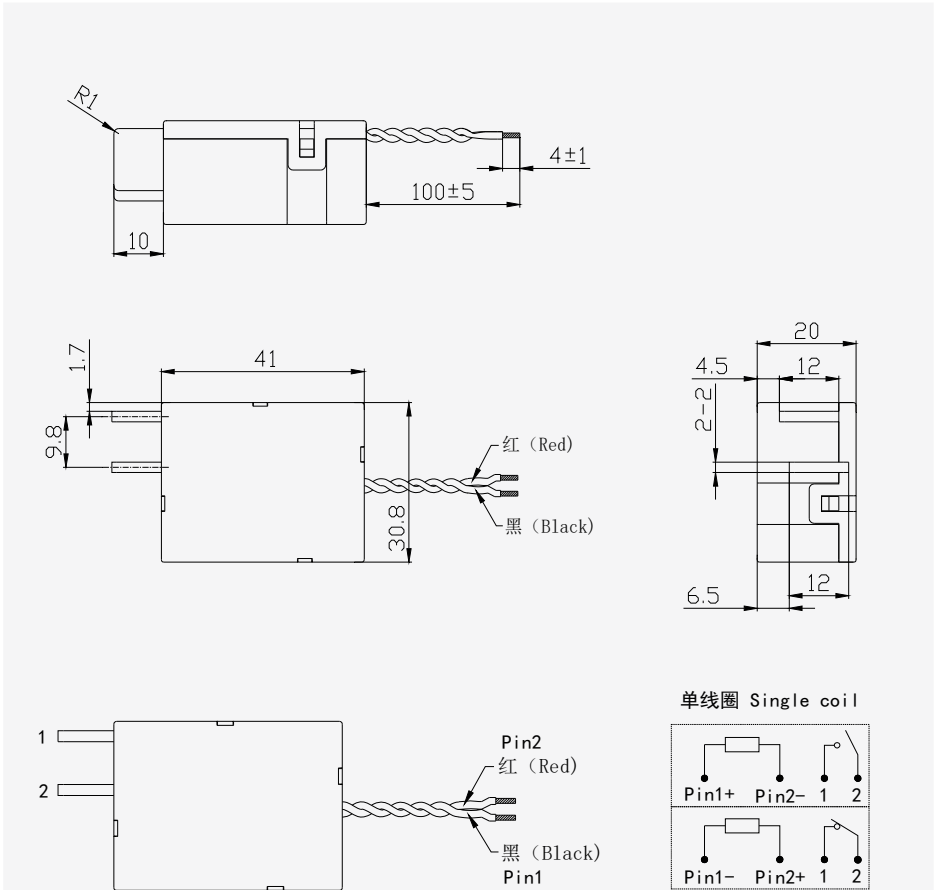
备注：如需其它额定电压，可特殊定货。  
Note: Special ordering for other coil voltage.

## ◆ 典型应用 Typical Application

- 1) 主要用于 IC 卡预付费电表，集中抄表系统；  
Prepayment Energy Meter; AMR System;
- 2) 也用于复合开关、家电和自动控制装置。  
Compound Switch; Automatic Control System.

**NRL715B 电机驱动继电器/Motor Latching Relay**

◆ 尺寸图 Dimensions(mm)/ 接线图 Circuit Diagram



**Disclaimer:**

The specifications in this datasheet are for reference only and subject to change without notice. No chance for us to evaluate all the specifications and technical parameters for each possible application. The users will take the responsibility to choose the correct products for their own applications. While if any technical support is needed, please contact NCR team for assistance.