

## NRL709FA 磁保持继电器/Magnetic Latching Relay



### ◆ 特点 Characteristic

- > 体积小，100A触点切换能力；
- > 线圈功耗小、温升极低；
- > 触点接触电阻小，电接触稳定性好；
- > 抗冲击、抗振动能力强；
- > 外形尺寸：66.7×46.4×24mm；
- > 符合IEC62052-31 UC3标准；
- > Small size, 100A switching capability.
- > Low coil consumption, ultra-low temperature rise.
- > Low contact resistance.
- > Strong anti-shock and anti-vibration capability.
- > Outline size: 66.7×46.4×24mm.
- > IEC62052-31 UC3 Compliant.

### ◆ 订货标记 Ordering Information

NRL	709FA	-	12	-	S	-	100	①	磁保持继电器代号 Latching Relay	
①	②	③	④	⑤					②	产品型号 Part Number
									③	线圈电压 Coil Voltage
									④	D 表示双线圈，S 表示单线圈 D= Double Coil; S= Single Coil
									⑤	100=100A

### ◆ 性能 Characteristics

绝缘电阻 Insulation resistance		1000MΩ (500VDC)
介质耐压 Dielectric Strength	触点与线圈间 Between Coil & Contacts	4000VAC 1min
	断开触点间 Between Open Contacts	2000VAC 1min
闭合时间 Operate Time		20msec. Max.
断开时间 Release Time		20msec. Max.
抗冲击 Shock resistance	稳定性 Functional	98m/S <sup>2</sup>
	强度 Destructive	980m/S <sup>2</sup>
振动 Vibration resistance		10~55Hz 1.5mm
湿度 Humidity		5%-85%RH
温度范围 Ambient temperature		-40~+85°C
引出端方式 Termination		快连接式 Fast connection
重量 Unit weight		127g
封装形式 Construction		防尘罩 Dust protected

◆ 触点参数 Contact Data

触点形式 Contact form	1A/1B
触点材料 Contact material	AgSnO2
接触电阻 Contact resistance (1A 6VDC) 测试点离外壳5mm处 ( Test point within 5mm distance from the casing )	Max: 1.0mΩ
触点负载 Contact Rating	100A 250VAC
最大转换电流 Max. Switching Current	100A
最大转换电压 Max. Switching Voltage	277VAC
最大转换功率 Max. Switching Power	25000VA
机械寿命 Mechanical life	1×10 <sup>5</sup>
电气寿命 Electrical life (阻性负载 Resistive)	1×10 <sup>4</sup>

◆ 电耐久性 Electrical Endurance (@ rated coil voltage)

UC等级 UC Class	电压 Voltage (Uc)	电流 Current (Ic)	接通/断开时间 ON/OFF time (second)	功率因素 Power Factor	电耐久性 Electrical Endurance (ops)
UC3	230VAC	100A	10s on /20s off	COS ∅ =1 COS∅ =0.5	5000 5000 (Total:10000)

◆ 线圈 Coil

线圈功耗 Coil power	单线圈: 3.0W 双线圈:6.0W Single coil: 3.0W Double coil: 6.0W
-----------------	---

◆ 线圈参数 Coil Data

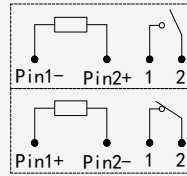
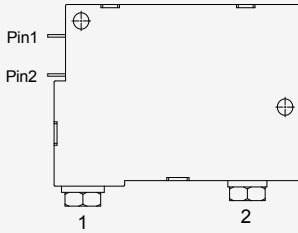
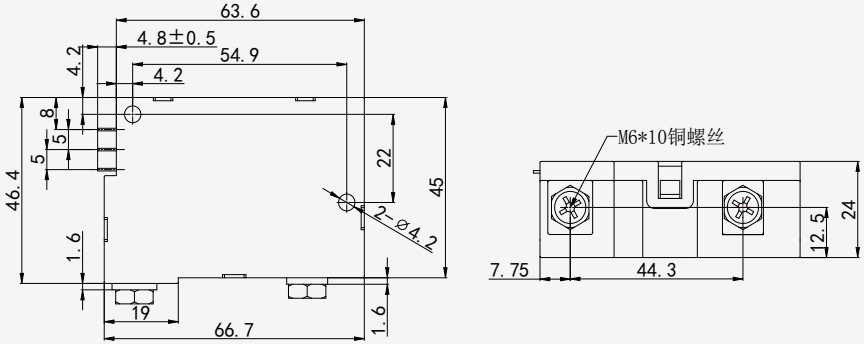
额定电压 (VDC) Rated Voltage	动作电压 (VDC) Pick-up voltage	脉冲宽度 (ms) Pulse Duration	线圈电阻 (Ω) Coil Resistance
单线圈 Single coil			
6	≤ 4.5	≥ 50	12±10%
9	≤ 6.8	≥ 50	27±10%
12	≤ 9	≥ 50	48±10%
24	≤ 18	≥ 50	192±10%
双线圈 Double coil			
6	≤ 4.5	≥ 50	2×6±10%
9	≤ 6.8	≥ 50	2×13.5±10%
12	≤ 9	≥ 50	2×24±10%
24	≤ 18	≥ 50	2×96±10%

备注：如需其它额定电压，可特殊定货。

Note: Special ordering for other coil voltage.

## NRL709FA 磁保持继电器/Magnetic Latching Relay

## ◆ 尺寸图 Dimensions(mm)/ 接线图 Circuit Diagram



单线圈 Single coil

双线圈 Double coil

