

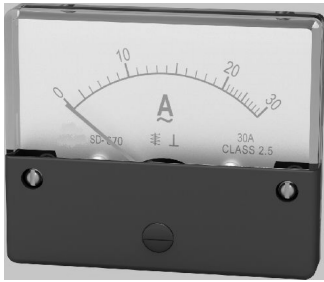


Industrial & Electrical Components

Analogue Square Panel Meter

Part No.

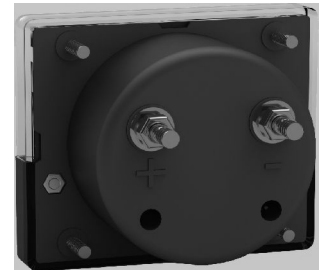
NRM-CCC



DC Ammeter



DC Voltmeter



Rear View

Moving coil instrument DC meters, NRM series

P/N	NRM-CCC670A	DC Ammeter
	NRM-CCC670V	DC Voltmeter
Accuracy class:	2.5	
For through current:	100uA,200uA,300uA,500uA,1mA,5mA,10mA,20mA,4-20mA,50mA,100mA,200mA,300mA,500mA,1A,2A,3A,5A,6A,10A,15A,20A,25A,30A	
For transformation ratio:	5A,10A,15A,20A,25A,30A,40A,50A,60A,75A,100A...10KA.The meters should be used with a shunt of which external secondary voltage 60mv or 75mv.	
Overload rate of ammeters:	1、 overload-free 2、 1.2 times	
For through voltage:	50mV,60mV,75mV,100mV,200mV,300mV,500mV,1V,5V,10V,30V,50V,100V,150V,200V,300V,400V,500V,600V.	
For transformation ratio:	450V,500V,600V,1000V,1500V,2000V,3000V,5000V.The meters should be used under the circumstance of 5mA incoming rated current and with and external fixedresistor.	
Overload rate of voltmeters:	1、 overload-free	

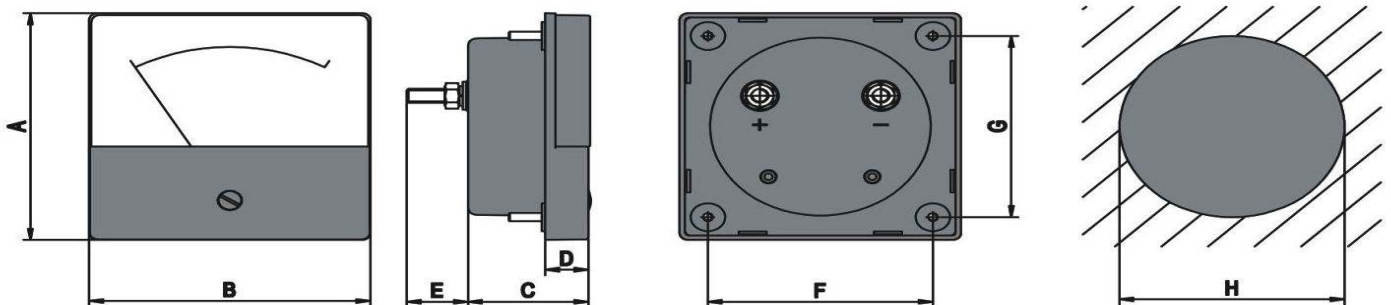
Product performance:

- ◆ Core made by aluminum alloys and permanent magnet steel materials.
- ◆ Housing made by transparent PMMA plastics with temperature resistant up to 85°C.
- ◆ Base made by PA66 or flame retardant PA66 plastics with temperature resistant up to 120°C.
- ◆ Withstand voltage higher than 2000V.

Principles of measurement and the features:

- ◆ Each magneto-electrical meter consists of permanent magnet steel and a moving coil with two tractive balance spring.
- ◆ Used for DC measurement.The advantages are high accuracy and sensitivity,low power consumption and the uniform scale, as well as insensitivity to temperature and external magnetic field, while the disadvantage is the low overload capacity.

Dimensions (mm)



P/N	A	B	C	D	E	F	G	H
NRM-CCC-670A	60	70	33.3	12	13	48	48	53
NRM-CCC-670V	60	70	33.3	12	13	48	48	53