



Analogue Round Panel Meter

Part No.

NRM-CA



DC Ammeter



DC Voltmeter



Color Face

Moving iron instrument AC meters, NRM series

P/N	NRM-CA62T2A	DC Ammeter
	NRM-CA62T2V	DC Voltmeter/color face voltmeter
Accuracy class:	2.5	
For through current:	100uA,200uA,300uA,500uA,1mA,5mA,10mA,20mA,4-20mA,50mA,100mA,200mA,300mA,500mA,1A,2A,3A,5A,6A10A,15A,20A,25A,30A,40A,50A,60A.	
For transformation ratio:	5A,10A,15A,20A,25A,30A,40A,50A,60A,75A,100A...10KA.The meters should be used with a shunt of which external secondary voltage 60mV or 75mV.	
For through voltage:	50mV,60mV,75mV,100mV,200mV,300mV,500mV,1V,5V,10V,30V,50V,100V,150V,200V,300V,400V,500V,600V	
For transformation ratio:	400V,450V,500V,600V,1000V,1500V,2000V,3000V,5000V.The meters should be used under the circumstance of 5mA incoming rated current and with and external fixedresistor.	
Overload rate of voltmeters:	1、 overload-free	

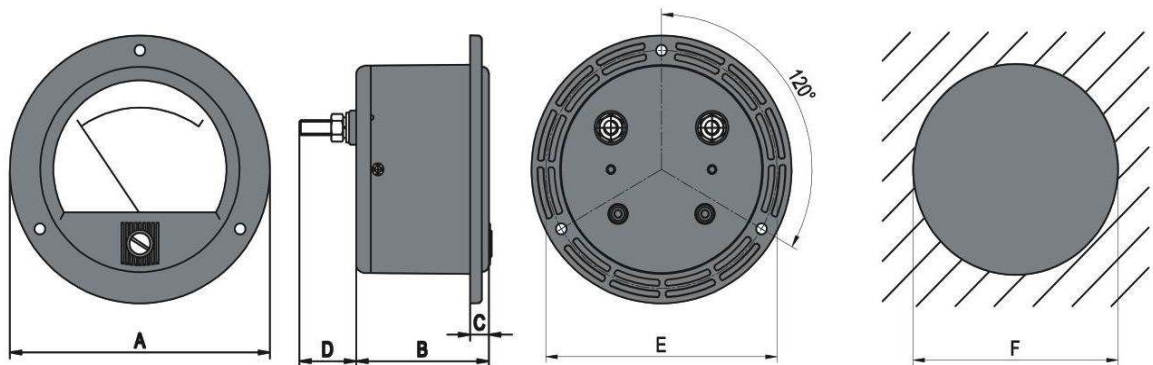
Product performance:

- ◆ Core made by aluminum alloys and permanent magnet steel materials.
- ◆ Housing made by transparent PMMA plastics with temperature resistant up to 85°C.
- ◆ Base made by PA66 or flame retardant PA66 plastics with temperature resistant up to 120°C.
- ◆ Withstand voltage higher than 2000V.

Principles of measurement and the features:

- ◆ Each magneto-electrical meter consists of permanent magnet steel and a moving coil with two tractive balance spring.
- ◆ Used for DC measurement.The advantages are high accuracy and sensitivity,low power consumption . and the uniform scale, as well as insensitivity to temperature and external magnetic field, while the disadvantage is the low overload capacity.

Dimensions (mm)



P/N	A	B	C	D	E	F
NRM-CA62T2A	90	46	6.5	15	80	72
NRM-CA62T2V	90	46	6.5	15	80	72