



Industrial & Electrical Components

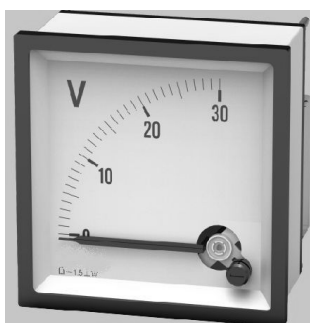
# Analogue Square Panel Meter

Part No.

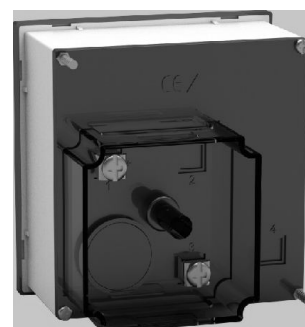
NRM-C



DC Ammeters



DC Voltmeters



Rear view

### Description

- ◆ Core made by PBT and permanent magnetic steel with vibration and heat resistant.
- ◆ Housing made by flame retardant ABS with temperature resistant up to 85°C.
- ◆ Base made by flame retardant PC with temperature resistant up to 120°C.
- ◆ Withstand voltage higher than 2000V.

### Moving Coil version

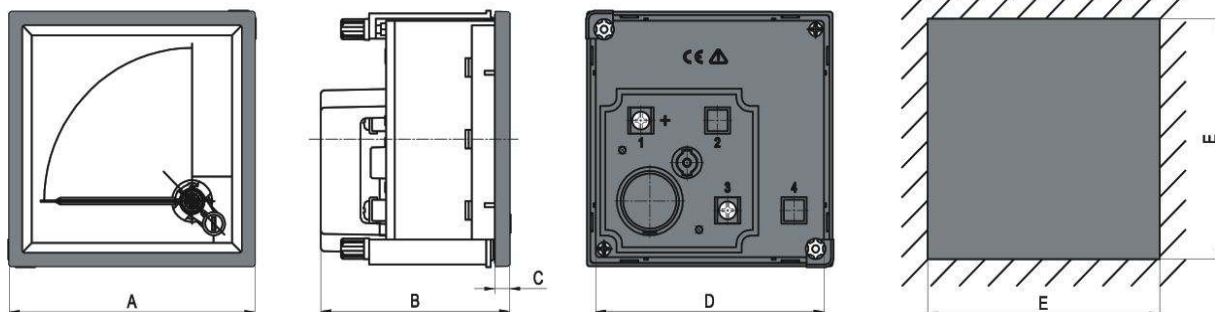
#### DC Ammeter

P/N.	NRM-C96A, NRM-C80A, NRM-C72A, NRM-C48A
Accuracy	class 1.5 (NRM-C48A class 2.5)
Specification	50uA, 100uA, 500uA, 1mA, 10mA, 50mA, 100mA, 500mA, 1A, 2A, 5A, 10A, 15A, 20A, 30A, 40A, 50A, 60A
Overload	100%, 120%

#### DC Voltmeter

P/N.	NRM-C96V, NRM-C80V, NRM-C72V, NRM-C48V
Accuracy	class 1.5 (NRM-C48V class 2.5)
Specification	50mV, 60mV, 75mV, 100mV, 200mV, 300mV, 500mV, 1V, 5V, 10V, 50V, 100V, 200V, 300V, 500V, 600V
Overload	100%, 120%

### Dimensions (mm)



P/N.	A	B	C	D	E
NRM-C96A/V	96	74	5.5	89.5	92
NRM-C80A/V	80	74	5.5	74.3	76
NRM-C72A/V	72	74	5.5	66.2	68
NRM-C48A/V	48	74	5.5	44	45